



Submittal Data Sheet

2.0-Ton Ceiling Suspended Cooling Only

FHQ24PVJURZR24PVJU

FEATURES

- Auto-swing capability with 100° airflow pattern
- Innovative stream fan technology
- 10 year limited parts and compressor warranty

INDOOR UNIT



BENEFITS

- Lateral servicing space allows installation in corners, narrow space, walls, and ceilings

OUTDOOR UNIT





Submittal Data Sheet

2.0-Ton Ceiling Suspended Cooling Only

FHQ24PVJURZR24PVJU

SYSTEM PERFORMANCE

Indoor Unit Model No.	FHQ24PVJU	Indoor Unit Name:	FHQ24PVJU
Outdoor Unit Model No.	RZR24PVJU	Outdoor Unit Name:	2.0-Ton SkyAir Cool Only
Rated Cooling Capacity (Btu/hr):	24,000	Rated Cooling Conditions:	Indoor (°F DB/WB): 80 / 67 Ambient (°F DB/WB): 95 / 75
Sensible Capacity (Btu/hr):	17,100	Rated Piping Length(ft):	
Max/Min Cooling Capacity (Btu/hr):	/	Rated Height Difference (ft):	98.00
Cooling Input Power (kW):	2.190	Rated Heating Conditions:	Indoor (°F DB/WB): 70 / 70 Ambient (°F DB/WB): 47 / 43
SEER (Non-Ducted/Ducted):	18.10 /		
EER (Non-Ducted/Ducted):	12.60 /		
Rated Heating Capacity (Btu/hr):	27,000		
Heating Input Power (kW):	2.48		

SYSTEM DETAILS

Refrigerant Type:	R-410A	Cooling Operation Range (°F DB):	23 - 115
Holding Refrigerant Charge (lbs):	5.1	Heating Operation Range (°F WB):	0 - 77
Additional Charge (lb/ft):	0.04	Max. Pipe Length (Vertical) (ft):	
Pre-charge Piping (Length) (ft):		Cooling Range w/Baffle (°F DB):	0 - 115
Max. Pipe Length (Total) (ft):	164	Heating Range w/Baffle (°F WB):	-
Max Height Separation (Ind to Ind ft):	98		

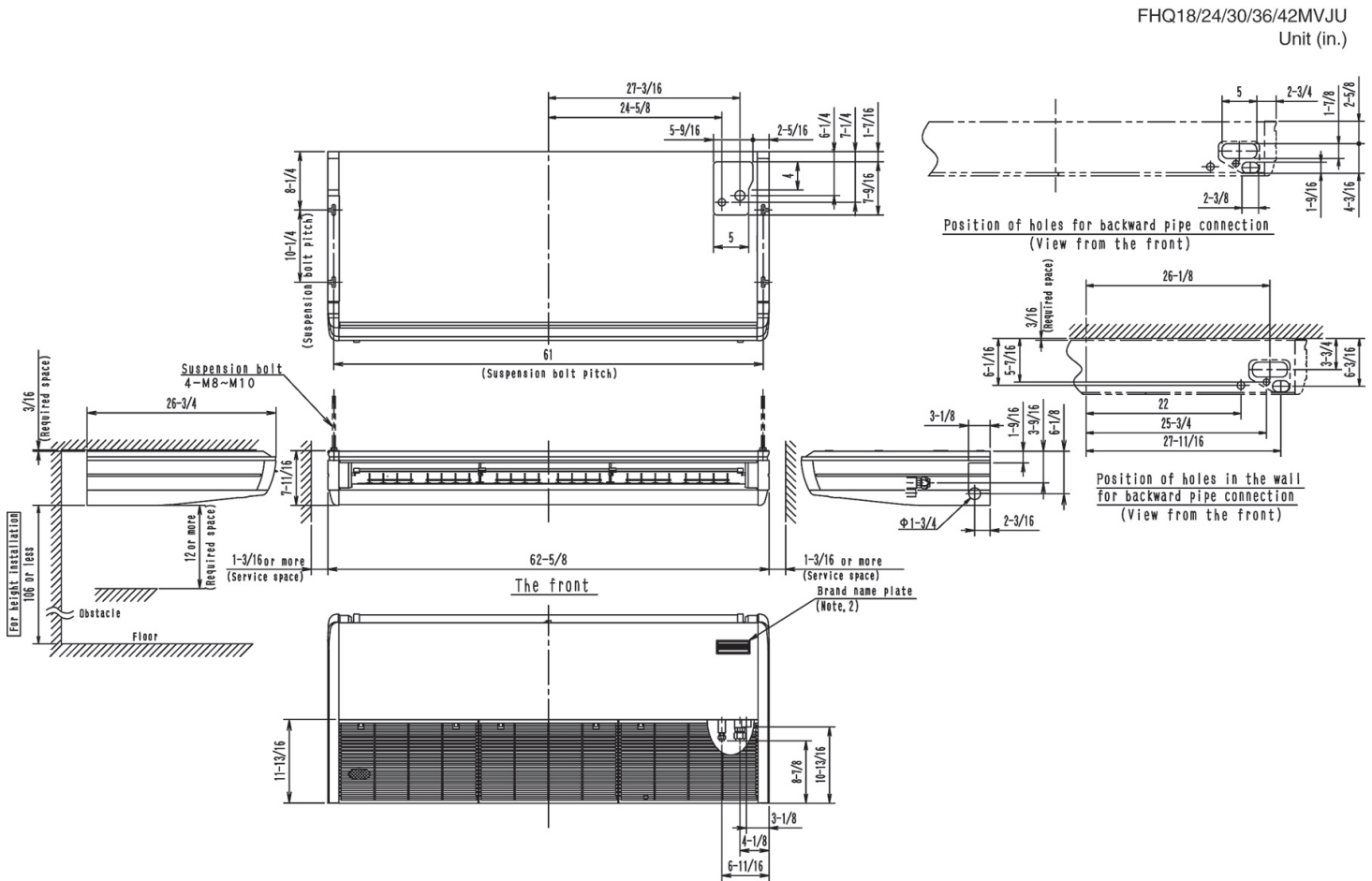
Submittal Data Sheet

2.0-Ton Ceiling Suspended Cooling Only
FHQ24PVJURZR24PVJU

INDOOR UNIT DETAILS

Power Supply (V/Hz/Ph):	208-230 / 60 / 1	Airflow Rate (H/L) (CFM):	790/670
Power Supply Connections:	L1, L2, Ground	Moisture Removal (Gal/hr):	
Min. Circuit Amps MCA (A):	1.30	Gas Pipe Connection (inch):	5/8
Max Overcurrent Protection (MOP) (A):		Liquid Pipe Connection (inch):	3/8
Dimensions (HxWxD) (in):	7-11/16 x 62-5/8 x 26-3/4	Condensate Connection (inch):	1
Panel (HxWxD) (in):		Sound Pressure (H) (dBA):	45
Net Weight (lb):	90	Sound Power Level (dBA):	
Panel Weight (lb):		Ext. Static Pressure (Rated/Max) (inWg):	0.00 / 0.00

DIMENSIONAL DRAWING - INDOOR UNIT





Submittal Data Sheet

2.0-Ton Ceiling Suspended Cooling Only

FHQ24PVJURZR24PVJU

OUTDOOR UNIT DETAILS

Power Supply (V/Hz/Ph):	208-230 / 60 / 1	Compressor Type:	Inverter
Power Supply Connections:	L1, L2, Ground	Capacity Control Range (%):	30 - 100
Min. Circuit Amps MCA (A):	16.50	Airflow Rate (H) (CFM):	1,835
Max Overcurrent Protection (MOP) (A):	20.00	Gas Pipe Connection (inch):	5/8
Max Starting Current MSC(A):		Liquid Pipe Connection (inch):	3/8
Rated Load Amps RLA(A):	10.3	Sound Pressure (H) (dBA):	49
Dimensions (HxWxD) (in):	30-5/16 x 35-7/16 x 12-5/8	Sound Power Level (dBA):	
Net Weight (lb):	150		

DIMENSIONAL DRAWING - OUTDOOR UNIT

