

# SUBMITTAL - 18KNAS1

Job Name: _____	Date: _____
Location: _____	



Indoor Unit: **ASUH18KNAS**

Outdoor Unit: **AOUH18KNAS1**



**FEATURES**

**INDOOR UNIT:**

- Compact wall-mounted indoor unit providing superior comfort and a premium aesthetic
- Indoor unit with ProCore™ (High Corrosion Resistant Copper) coils for long-lasting protection against corrosion
- Whisper-quiet operation with sound levels as low as 28dB
- Multiple fan speed options; Auto, High, Med, Low, and Quiet.
- Special Operation modes available:
  - Economy Mode
  - Energy Saving Mode
  - Powerful Mode
  - Auto-restart function
  - Auto Changeover
- Enhanced controls platform for seamless, intuitive operation:
  - Wireless remote controller included with the indoor unit
  - Optional Wi-Fi connectivity with Airstage Mobile App monitoring and control via compatible USB WLAN adapter

**OUTDOOR UNIT:**

- Low GWP R-32 systems for reduced environmental impact
- INVERTER-driven compressor delivering high efficiency and comfort.
- Compact outdoor unit with extended line set lengths up to 82ft (25m)



7 Year Compressor, 5 Year Parts out-of-the-box Warranty.



10 Year Compressor, 10 Year Parts Warranty when registered within 60 days of installation in a residence.



12 Year Compressor, 12 Year Parts Warranty when registered within 60 days of installation in a residence and installed by a Fujitsu Elite contractor.



Due to continuous product improvements, specifications are subject to change without notice. Please log in to the Fujitsu Portal for the most up-to-date documentation <https://connect.fujitsugeneral.com>

# SUBMITTAL - 18KNAS1

## SPECIFICATIONS:

Indoor Unit				<b>ASUH18KNAS</b>			
Outdoor Unit				<b>AOUH18KNAS1</b>			
System Name				18KNAS1			
AHRI Number				217617837			
SEER2	Cooling		Btu/hW	20			
EER2			kW/kW	--			
HSPF 2 (IV) / HSPF 2 (V)	Heating		Btu/hW	11.00			
COP2			kW/kW	9 / 7.3			
			Btu/hW	3.18			
Outdoor Operation Range	Cooling		°F (°C)	50 to 122 (10 to 50)			
	Heating			5 to 75 (-15 to 24)			
Indoor Capacity	Cooling		Rated	18,000			
			Min.—Max.	3,800—18,500			
	Heating	47°FDB (Outdoor temp.)		Rated	18,000		
				Min.—Max.	3,600—22,500		
		17°FDB (Outdoor temp.) <sup>1</sup>		Rated	12,400		
				Max.	16,500		
		5°FDB (Outdoor temp.) <sup>2</sup>		Rated	14,500		
Max.	14,500						
Outdoor Connection pipe	Size	Liquid		in (mm)			
		Gas		Ø1/4 (Ø6.35)			
	Method		FLARE				
	Pre-charge length		ft (m)	49 (15)			
	Min. length			10 (3)			
	Max. length			82 (25)			
Max. height difference		66 (20)					
Indoor Dimensions (H × W × D)	Net		in (mm)	10-5/8 × 32-13/16 × 9-7/16 (270 × 834 × 239)			
	Gross		11-13/16 × 36 × 13-5/16 (300 × 914 × 338)				
Indoor Weight	Net		lb (kg)	23 (10.5)			
	Gross		31 (14.0)				
Outdoor Dimensions (H × W × D)	Net		in (mm)	21-5/16 × 31-7/16 × 11-7/16 (542 × 799 × 290)			
	Gross		23-11/16 × 37 × 14-3/4 (602 × 940 × 375)				
Outdoor Weight	Net		lb (kg)	73 (33)			
	Gross		82 (37)				
Indoor Fan	Airflow rate	Cooling		High	477 (810)		
				Med	365 (620)		
				Low	277 (470)		
				Quiet	212 (360)		
		Heating		High	477 (810)		
				Med	377 (640)		
				Low	294 (500)		
				Quiet	230 (390)		
				Type × Qty		CROSSFLOW FAN × 1	
				Motor output		W	61
Outdoor Fan	Airflow rate	Cooling		CFM (m <sup>3</sup> /h)	1,183 (2,010)		
		Heating		1,183 (2,010)			
	Type × Qty		PROPELLER FAN × 1				
	Motor output		W	23			
Indoor Sound Pressure Level <sup>4</sup>	Cooling		High	48			
			Med	41			
			Low	35			
			Quiet	28			
	Heating		High	46			
			Med	40			
			Low	35			
			Quiet	30			
Outdoor Sound Pressure Level <sup>4</sup>	Cooling		51				
	Heating		53				

# SUBMITTAL - 18KNAS1

## SPECIFICATIONS:

Outdoor Refrigerant	Type		R32
	Charge	lb oz	1 lb 15 oz
		g	890
Additional Charge Calculation		oz/ft	0.22
		g/m	20
Outdoor Refrigerant Oil	Type		RmM68AF
	Amount	in <sup>3</sup> (cm <sup>3</sup> )	21.4 (350)
Indoor Moisture removal		pints/h (L/h)	5.5 (2.6)
Indoor Drain hose	Material		POLYPROPYLENE + HIGH-DENSITY POLYETHYLENE
	Tip Diameter	in (mm)	Ø17/32 (Ø13.8) (I.D.), Ø5/8 to Ø21/32 (Ø15.8 to Ø16.7) (O.D.)
Indoor Operation range	Cooling	°F (°C)	64 to 90 (18 to 32)
	Heating	%RH	80 or less
Power Supply		°F (°C)	60 to 86 (16 to 30)
Available Voltage Range			208/230 V~ 60 Hz
Indoor Current	Cooling	Rated	187—253
	Heating		7.3
Maximum Operating Current <sup>3</sup>		Cooling	7.3
		Heating	9.9
Outdoor Starting Current			11.9
MCA <sup>5</sup>			7.3
Wiring spec. <sup>6</sup>			14.7
MAX. CKT. BKR <sup>7</sup>			15
Indoor Input Power	Cooling	Rated	1.64
		Min.—Max.	0.14—1.78
	Heating	Rated	1.66
		Min.—Max.	0.20—2.40
		Rated	1.32
		Max.	2.15
	Rated	2.10	
	Max.	2.10	
Indoor Power Factor	Cooling	%	97.7
	Heating		98.9
Energy Star <sup>8</sup>			ES, ESCE, ESME

### NOTES:

- Cooling: Indoor temperature of 80°F(26.67°CDB)/67°FWB(19.44°CWB), and outdoor temperature of 95°FDB(35°CDB)/75°FWB(23.9°CWB).
- Heating: Indoor temperature of 70°FDB(21.11°CDB)/60°FWB(15.56°CWB), and outdoor temperature of 47°FDB(8.33°CDB)/43°FWB(6.11°CWB).
- 17°FDB(Outdoor temp.)
- 1: Heating (17°F): Indoor temperature of 70°FDB(21.11°CDB)/60°FWB(15.56°CWB), and outdoor temperature of 17°FDB(-8.33°CDB)/15°FWB(-9.44°CWB).
- 5°FDB(Outdoor temp.)
- 2: Heating (5°F): Indoor temperature of 70°FDB(21.11°CDB)/60°FWB(15.56°CWB), and outdoor temperature of 5°FDB(-15.0°CDB)/4°FWB(-15.56°CWB).
- Test conditions are based on AHRI 210/240 2023.
- 4:
- Indoor Sound Pressure Level
- Measured values in manufacturer's anechoic chamber.
- Outdoor Sound Pressure Level
- Because of the surrounding sound environment, the sound levels measured in actual installation conditions might be higher than the specified values here.
- 3:
- Maximum Operating Current
- Maximum current is maximum value when operated within the operation range.
- The total current of indoor unit and outdoor unit.
- MCA —5: Minimum Circuit Ampacity (Calculation based on UL60335-2-40)
- 6: Selected sample based on Japan Electrotechnical Standards and Codes Committee E0005.
- Wiringspec.
- As the regulations of wire size and circuit breaker differ in each country or region, select appropriate devices complied to the regional standard.
- MAX. CKT. BKR—7: Maximum Circuit Breaker

System continues to operate below rated outdoor operation temperature range, subject to varying conditions. System has no low temperature cut out. Capacity is not tested outside of the rated temperature range.

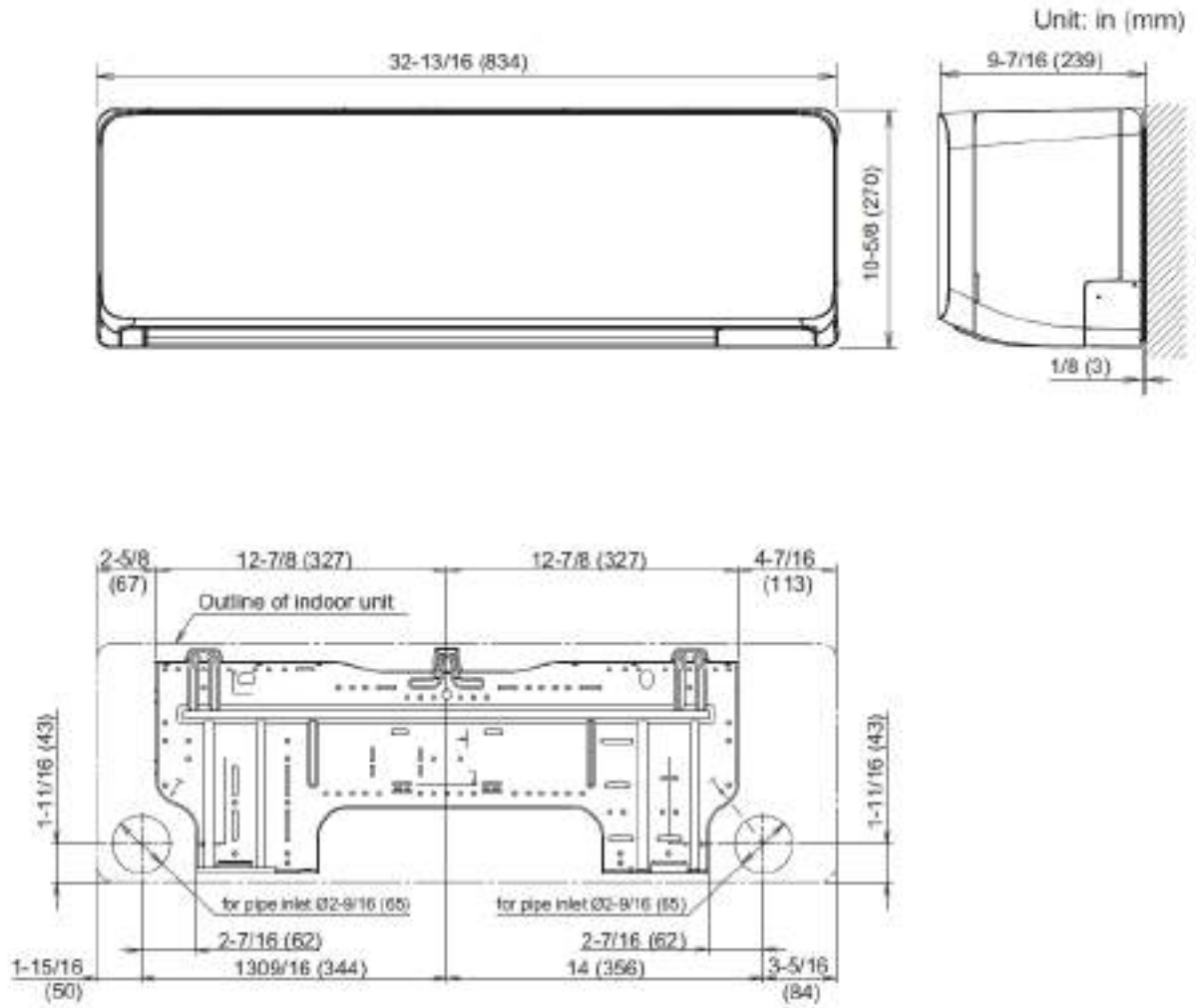
# SUBMITTAL - 18KNAS1

**ACCESSORIES:**

<b>Model Number</b>	<b>Description</b>
UTY-TFSXH4	Wi-Fi Adapter (WiFi Interface Module USB Type)
FJ-IR-WIFI-1NA	Intesis IR Wireless AC Cloud Control Interface (Intesis Home app)

# SUBMITTAL - 18KNAS1

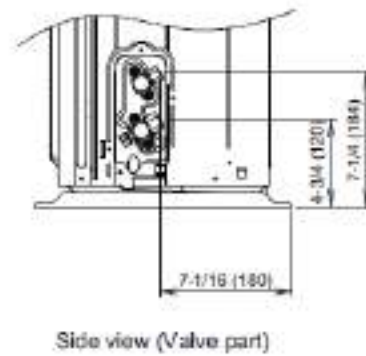
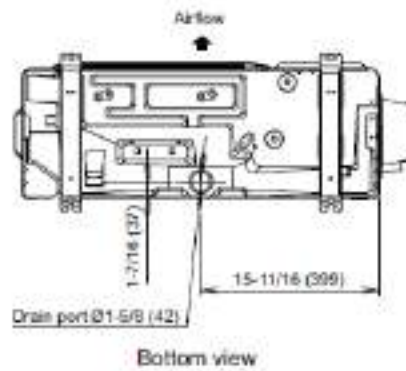
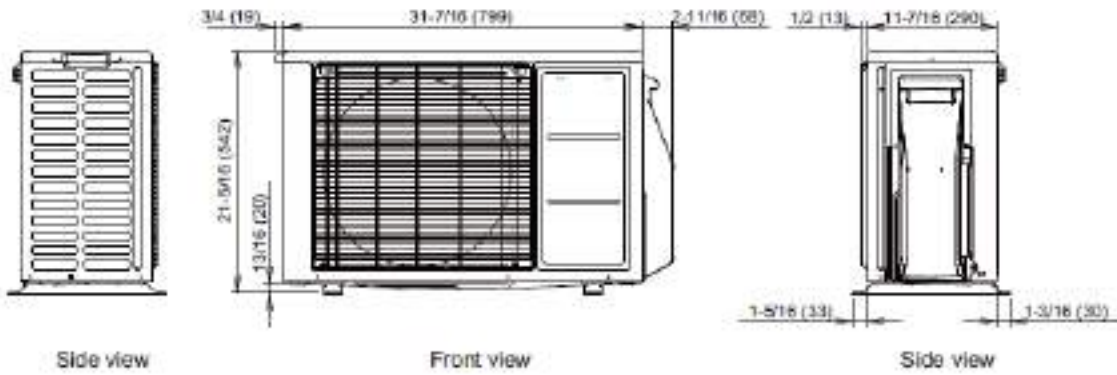
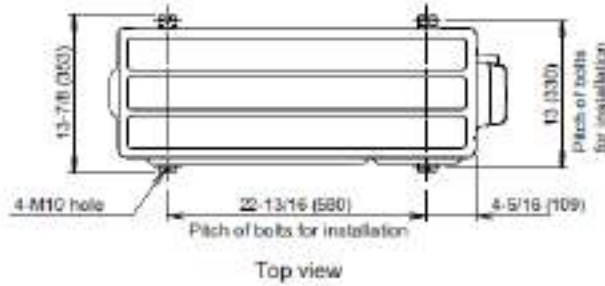
## INDOOR UNIT DIMENSIONS:



# SUBMITTAL - 18KNAS1

## OUTDOOR UNIT DIMENSIONS:

Unit: in (mm)



The Fujitsu logo is a worldwide trademark of Fujitsu General Limited. The Airstage logo and name is a worldwide trademark of Fujitsu General Limited and is a registered trademark in Japan, the USA and other countries or areas. Copyright 2025 Fujitsu General America, Inc. Fujitsu's products are subject to continuous improvements. Fujitsu reserves the right to modify product design, specifications and information in this brochure without notice and without incurring any obligations.