

SUBMITTAL - 12KNAS1

Job Name: _____	Date: _____
Location: _____	



Indoor Unit: **ASLH12KNAS**

Outdoor Unit: **AOLH12KNAS1**



FEATURES

INDOOR UNIT:

- 115V System for applications with limited electrical service
- Compact wall-mounted indoor unit providing superior comfort and a premium aesthetic
- Indoor unit with ProCore™ (High Corrosion Resistant Copper) coils for long-lasting protection against corrosion
- Whisper-quiet operation with sound levels as low as 20dB
- Multiple fan speed options; Auto, High, Med, Low, and Quiet.
- Special Operation modes available:
 - Economy Mode
 - Energy Saving Mode
 - Powerful Mode
 - Minimum Heat Mode (accessible via WLAN only)
 - Auto-restart function
 - Auto Changeover
- Enhanced controls platform for seamless, intuitive operation:
 - Wireless remote controller included with the indoor unit
 - Wi-Fi connectivity with Airstage Mobile App monitoring and control via compatible USB WLAN adapter
 - Extended connectivity with support for third-party interface options

OUTDOOR UNIT:

- Low GWP R-32 systems for reduced environmental impact
- INVERTER-driven compressor delivering high efficiency and comfort.
- Compact outdoor unit with extended line set lengths up to 66ft (20m)



7 Year Compressor, 5 Year Parts out-of-the-box Warranty.



10 Year Compressor, 10 Year Parts Warranty when registered within 60 days of installation in a residence.



12 Year Compressor, 12 Year Parts Warranty when registered within 60 days of installation in a residence and installed by a Fujitsu Elite contractor.



Due to continuous product improvements, specifications are subject to change without notice. Please log in to the Fujitsu Portal for the most up-to-date documentation <https://connect.fujitsugeneral.com>

Version: 20250409A

-1 of 6-

SUBMITTAL - 12KNAS1

SPECIFICATIONS:

Indoor Unit				ASLH12KNAS		
Outdoor Unit				AOLH12KNAS1		
System Name				12KNAS1		
AHRI Number				215422284		
SEER2	Cooling		Btu/hW	17		
EER2			kW/kW	2.97		
HSPF 2 (IV) / HSPF 2 (V)	Heating		Btu/hW	10.15		
COP2			kW/kW	9 / 7.2		
			Btu/hW	3.35		
Outdoor Operation Range	Cooling		°F (°C)	50 to 126 (10 to 52)		
	Heating			5 to 75 (-15 to 24)		
Indoor Capacity	Cooling		Rated	12000		
			Min.—Max.	3,100—12,500		
	Heating	47°FDB (Outdoor temp.)		Rated	12000	
		17°FDB (Outdoor temp.) ¹		Min.—Max.	3,100—13,900	
				Max.	7500	
		5°FDB (Outdoor temp.) ²		Rated	10100	
				Max.	8200	
Outdoor Connection pipe	Size	Liquid		in (mm)	Ø1/4 (Ø6.35)	
		Gas			Ø3/8 (Ø9.52)	
	Method				FLARE	
	Pre-charge length		ft (m)	49 (15)		
	Min. length			10 (3)		
	Max. length			66 (20)		
Max. height difference		49 (15)				
Indoor Dimensions (H × W × D)	Net		in (mm)	9-13/16 × 30-5/16 × 8-9/16 (250 × 770 × 218)		
	Gross			10-13/16 × 33-1/16 × 12-3/16 (274 × 840 × 310)		
Indoor Weight	Net		lb (kg)	17 (7.5)		
	Gross			21 (9.5)		
Outdoor Dimensions (H × W × D)	Net		in (mm)	21-5/16 × 26-1/8 × 11-7/16 (541 × 663 × 290)		
	Gross			23-11/16 × 31-5/8 × 14-3/4 (602 × 804 × 375)		
Outdoor Weight	Net		lb (kg)	55 (25)		
	Gross			62 (28)		
Indoor Fan	Airflow rate	Cooling		High	365 (620)	
				Med	288 (490)	
				Low	218 (370)	
				Quiet	141 (240)	
		Heating		High	377 (640)	
				Med	288 (490)	
				Low	235 (400)	
				Quiet	153 (260)	
	Type × Qty				CROSSFLOW FAN × 1	
	Motor output				27	
Outdoor Fan	Airflow rate	Cooling		CFM (m ³ /h)	1,001 (1,700)	
		Heating			865 (1,470)	
	Type × Qty				PROPELLER FAN × 1	
Motor output				23		
Indoor Sound Pressure Level ⁴	Cooling		High	dB (A)	41	
			Med		35	
			Low		28	
			Quiet		20	
	Heating		High		41	
			Med		35	
			Low		30	
			Quiet		22	
Outdoor Sound Pressure Level ⁴	Cooling				48	
	Heating					

SUBMITTAL - 12KNAS1

SPECIFICATIONS:

Outdoor Refrigerant	Type		R32
	Charge	lb oz	1 lb 7 oz
		g	650
Additional Charge Calculation		oz/ft	0.22
		g/m	20
Outdoor Refrigerant Oil	Type		RB74AF
	Amount	in ³ (cm ³)	14.6 (240)
Indoor Moisture removal		pints/h (L/h)	3.3 (1.57)
Indoor Drain hose	Material		POLYPROPYLENE + HIGH-DENSITY POLYETHYLENE
	Tip Diameter	in (mm)	I.D.: Ø17/32 (Ø13.8) O.D.: Ø19/32 to 21/32 (Ø15 to 16.8)
Indoor Operation range	Cooling	°F (°C)	64 to 90 (18 to 32)
	Heating	%RH	80 or less
Power Supply		°F (°C)	60 to 86 (16 to 30)
Available Voltage Range			115 V~ 60 Hz
System power supply	Voltage		103.5—126.5
	Frequency		115
	Available voltage range		60
Indoor Current	Cooling	Rated	103.5—126.5
	Heating		10.9
Maximum Operating Current ^{*3}		Cooling	11
		Heating	14.7
Outdoor Starting Current			11
MCA ^{*5}			18.3
Wiring spec. ^{*6}		MAX. CKT. BKR ^{*7}	20
Indoor Input Power	Cooling	Rated	1.18
		Min.—Max.	0.23—1.44
	Heating	Rated	1.05
		Min.—Max.	0.21—1.66
		Rated	0.84
		Max.	1.24
5°FDB (Outdoor temp.) ²	Rated	1.1	
	Max.		
Indoor Power Factor	Cooling	%	94
	Heating		83

NOTES

- Cooling: Indoor temperature of 80°F (26.67°CDB)/67°FWB (19.44°CWB), and outdoor temperature of 95°FDB (35°CDB)/75°FWB (23.9°CWB).
 - Heating: Indoor temperature of 70°FDB (21.11°CDB)/60°FWB (15.56°CWB), and outdoor temperature of 47°FDB (8.33°CDB)/43°FWB (6.11°CWB).
 - 17°FDB (Outdoor temp.)¹ —*1: Heating (17°F): Indoor temperature of 70°FDB (21.11°CDB)/60°FWB (15.56°CWB), and outdoor temperature of 17°FDB (-8.33°CDB)/15°FWB (-9.44°CWB).
 - 5°FDB (Outdoor temp.)² —*2: Heating (5°F): Indoor temperature of 70°FDB (21.11°CDB)/60°FWB (15.56°CWB), and outdoor temperature of 5°FDB (-15.0°CDB)/4°FWB (-15.56°CWB).
 - Test conditions are based on AHRI 210/240 2023.
 - *4: Indoor Sound Pressure Level —Measured values in manufacturer's anechoic chamber.
 - Outdoor Sound Pressure Level —Because of the surrounding sound environment, the sound levels measured in actual installation conditions might be higher than the specified values here.
 - *3: Maximum Operating Current —Maximum current is maximum value when operated within the operation range. —The total current of indoor unit and outdoor unit.
 - MCA —*5: Minimum Circuit Ampacity (Calculation based on UL80335-2-40)
 - Wiring spec. —*6: Selected sample based on Japan Electrotechnical Standards and Codes Committee ED005.
 - MAX. CKT. BKR —*7: Maximum Circuit Breaker
- System continues to operate below rated outdoor operation temperature range, subject to varying conditions. System has no low temperature cut out. Capacity is not tested outside of the rated temperature range.

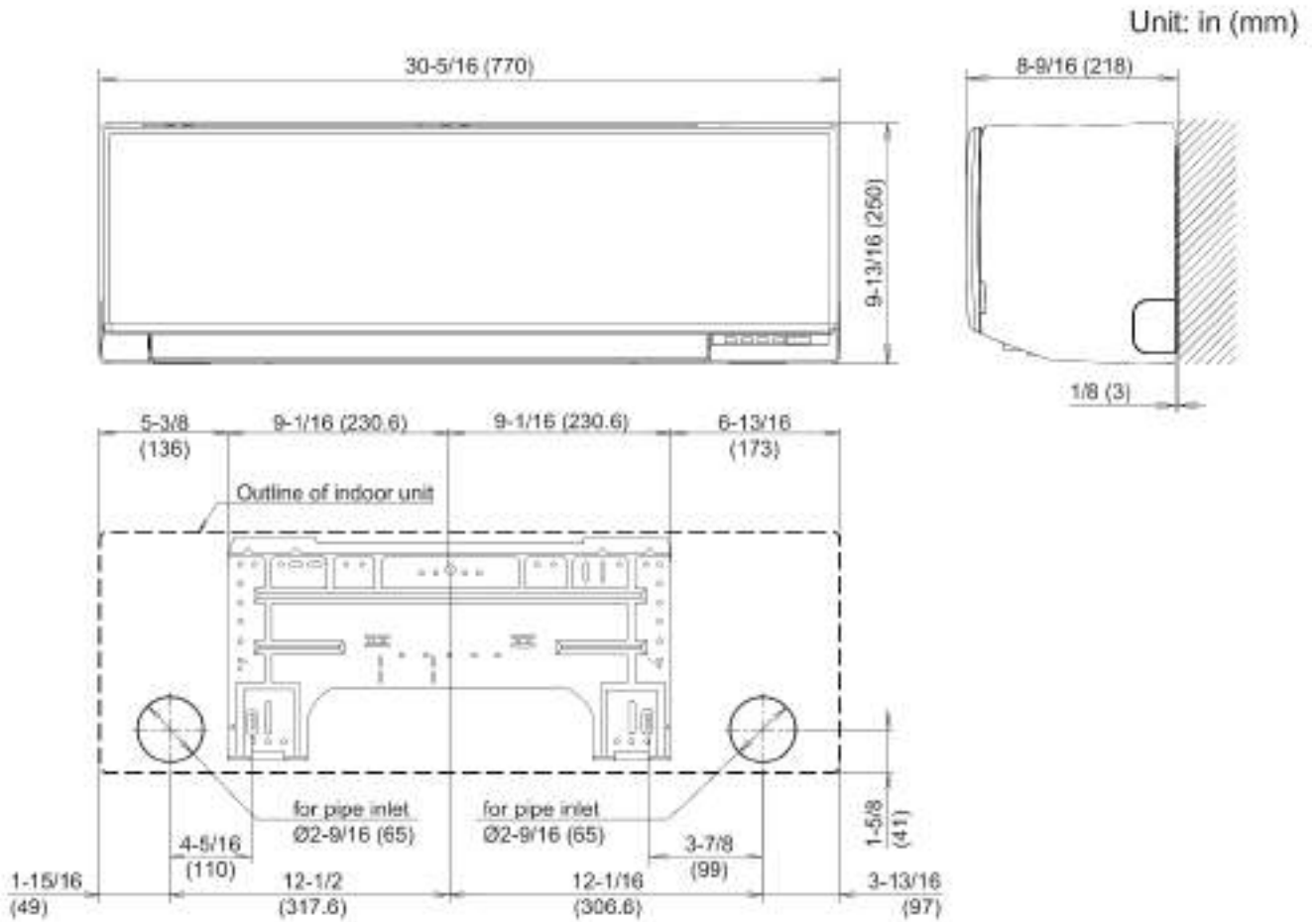
SUBMITTAL - 12KNAS1

ACCESSORIES:

Model Number	Description
UTY-TFSXH4	Wi-Fi Adapter (WiFi Interface Module USB Type)
FJ-IR-WIFI-1NA	Intesis IR Wireless AC Cloud Control Interface (Intesis Home app)
BM101WA	Cielo - Breez Max IR Controller w/ WiFi (Black)
BM102WA	Cielo - Breez Max IR Controller w/ WiFi (White)

SUBMITTAL - 12KNAS1

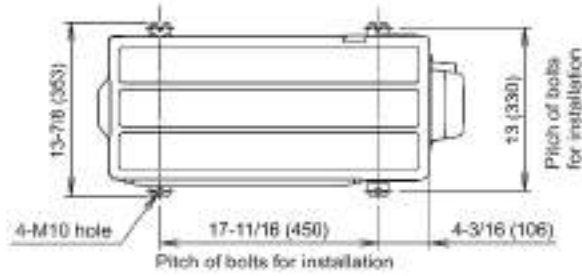
INDOOR UNIT DIMENSIONS:



SUBMITTAL - 12KNAS1

OUTDOOR UNIT DIMENSIONS:

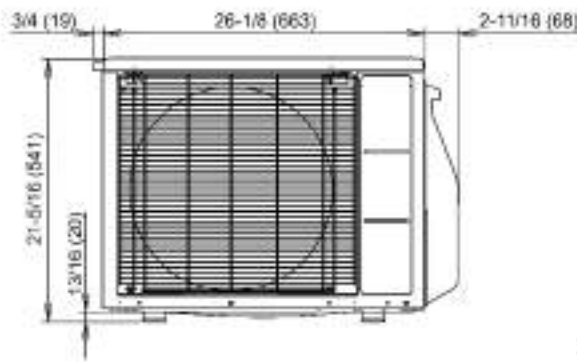
Unit: in (mm)



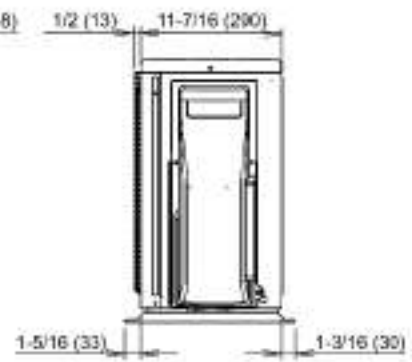
Top view



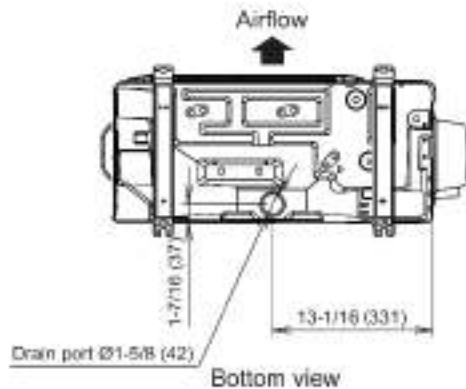
Side view



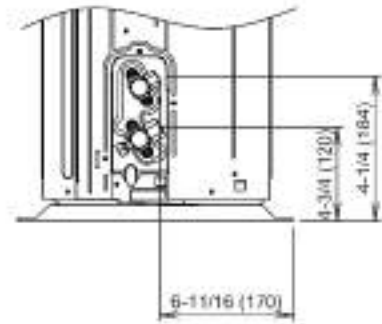
Front view



Side view



Bottom view



Side view (Valve part)

The Fujitsu logo is a worldwide trademark of Fujitsu General Limited. The Airstage logo and name is a worldwide trademark of Fujitsu General Limited and is a registered trademark in Japan, the USA and other countries or areas. Copyright 2025 Fujitsu General America, Inc. Fujitsu's products are subject to continuous improvements. Fujitsu reserves the right to modify product design, specifications and information in this brochure without notice and without incurring any obligations.