

Job Name:	
Tag#	



Submittal Data Sheet	FTXB09AXVJU / RXB09AXVJU
0.75-Ton Wall Mounted Heat Pump System	



Efficiency			
Cooling		Heating	
SEER	17	HSPF	9
EER	11	COP	3.56

Performance	
Cooling (Btu/hr)	
Rated (Min/Max)	8,800 (4,400 – 10,200)
Sensible @ AHRI	7,677
Operating Range	50°F – 115°F
Rated Cooling Conditions: Indoor: 80°F DB/67°F WB Outdoor: 95°F DB/75°F WB	
Heating (Btu/hr)	
1: @ 47° Rated (Min/Max)	9,400 (4,400 – 13,600)
2: @ 17° Rated	5,800
3: @ 5°	4,603
Operating Range	5°F – 65°F
1: Rated Heating Conditions: Indoor: 70°F DB/60°F WB Outdoor: 47°F DB/43°F WB	
2: Rated Heating Conditions: Indoor: 70°F DB/60°F WB Outdoor: 17°F DB/15°F WB	
3: Heating Conditions: Indoor: 69.8°F DB Outdoor: 5°F WB	

Complete warranty details available from your local dealer or at www.daikincomfort.com. To receive the 10-Year Parts Limited Warranty, online registration must be completed within 60 days of installation. Online registration is not required in California or Quebec. If product is installed in a commercial application, limited warranty period is 5 years.

Indoor Specifications				
	Cooling		Heating	
	H	M	H	M
Airflow Rate (cfm)	330	272	330	272
	L		L	
	215		215	
Sound (dBA) H / M / L / SL	42 / 35 / 30		42 / 35 / 30	
Dimensions (H x W x D) (in)	11-11/16 x 35-1/16 x 8-1/4			
Weight (Lbs)	20			

Electrical		
	208/60/1	230/60/1
System MCA	6.95	6.95
System MFA	15	15
Compressor RLA	6.75	6.75
Outdoor fan motor FLA	.19	.19
Outdoor fan motor W	41	41
Indoor fan motor FLA	.20	.20
Indoor fan motor W	18	18

MFA: Max. fuse amps MCA: Min. circuit amps (A) FLA: Full load amps (A)
RLA: Rated load amps (A) W: Fan motor rated output (W)

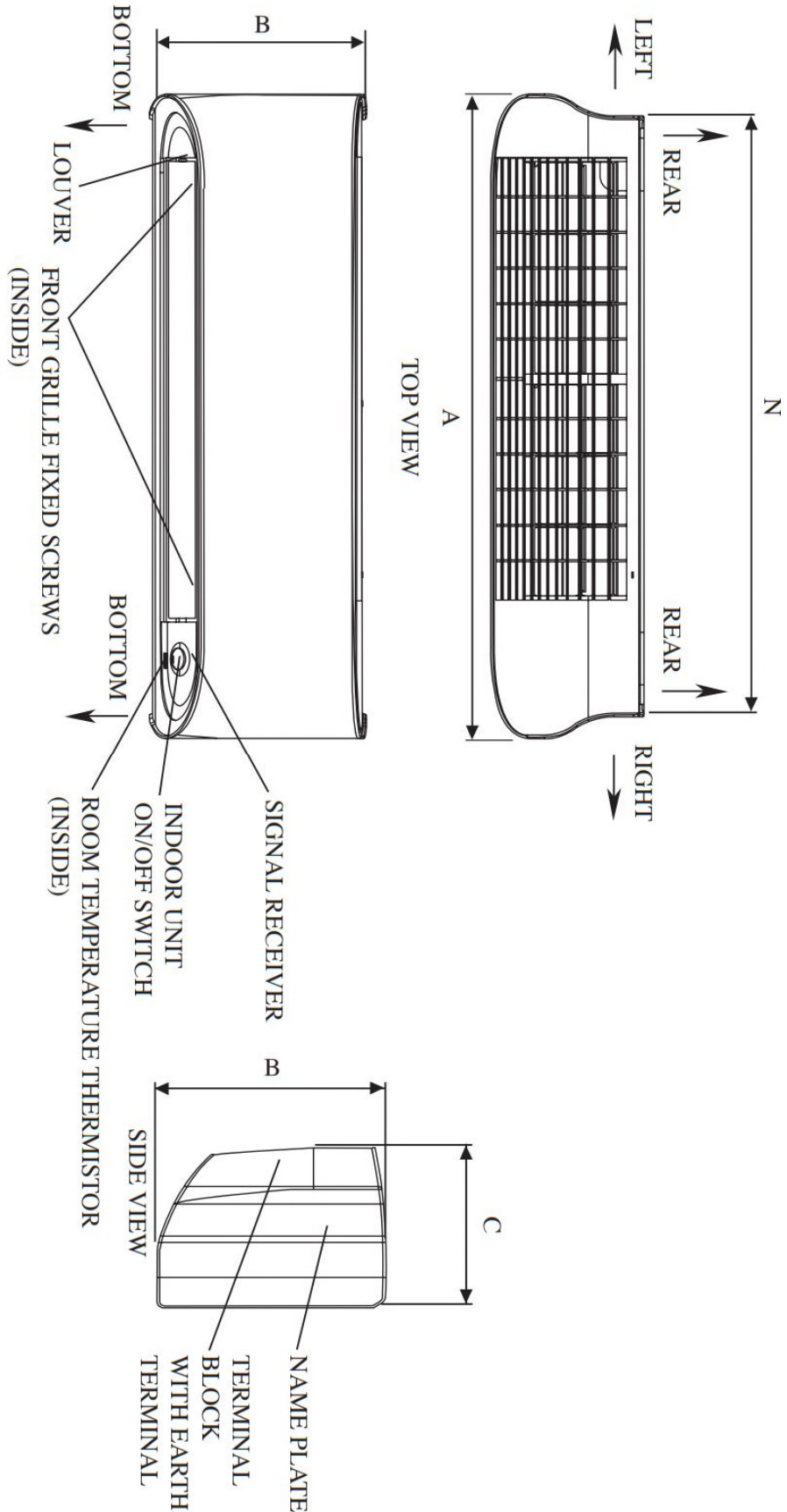
Outdoor Specifications				
Compressor	Hermetically Sealed Swing Type			
Refrigerant	R-410A			
Factory Charge (Lbs)	1.625			
Refrigerant Oil	PVE (FVC50K)			
Airflow Rate (cfm)	Cooling		Heating	
	H	900	H	900
Sound Pressure Level (dBA)	46			
Dimensions (H x W x D) (in)	21-5/8 x 25-15/16 x 10-3/4			
Weight (Lbs)	53			

Piping	
Liquid (in)	1/4
Gas (in)	3/8
Drain (in)	3/4
Max. Interunit Piping Length (ft)	65.625
Max. Interunit Height Difference (ft)	32.8
Chargeless (ft)	24.6
Additional Charge of Refrigerant (oz/ft)	.21

Daikin North America LLC San Felipe, Suite 500 Houston, TX 77056

(Daikin's products are subject to continuous improvements. Daikin reserves the right to modify product design, specifications and information in this data sheet without notice and without incurring any obligations)

FTXB09AXVJU Dimensional Data

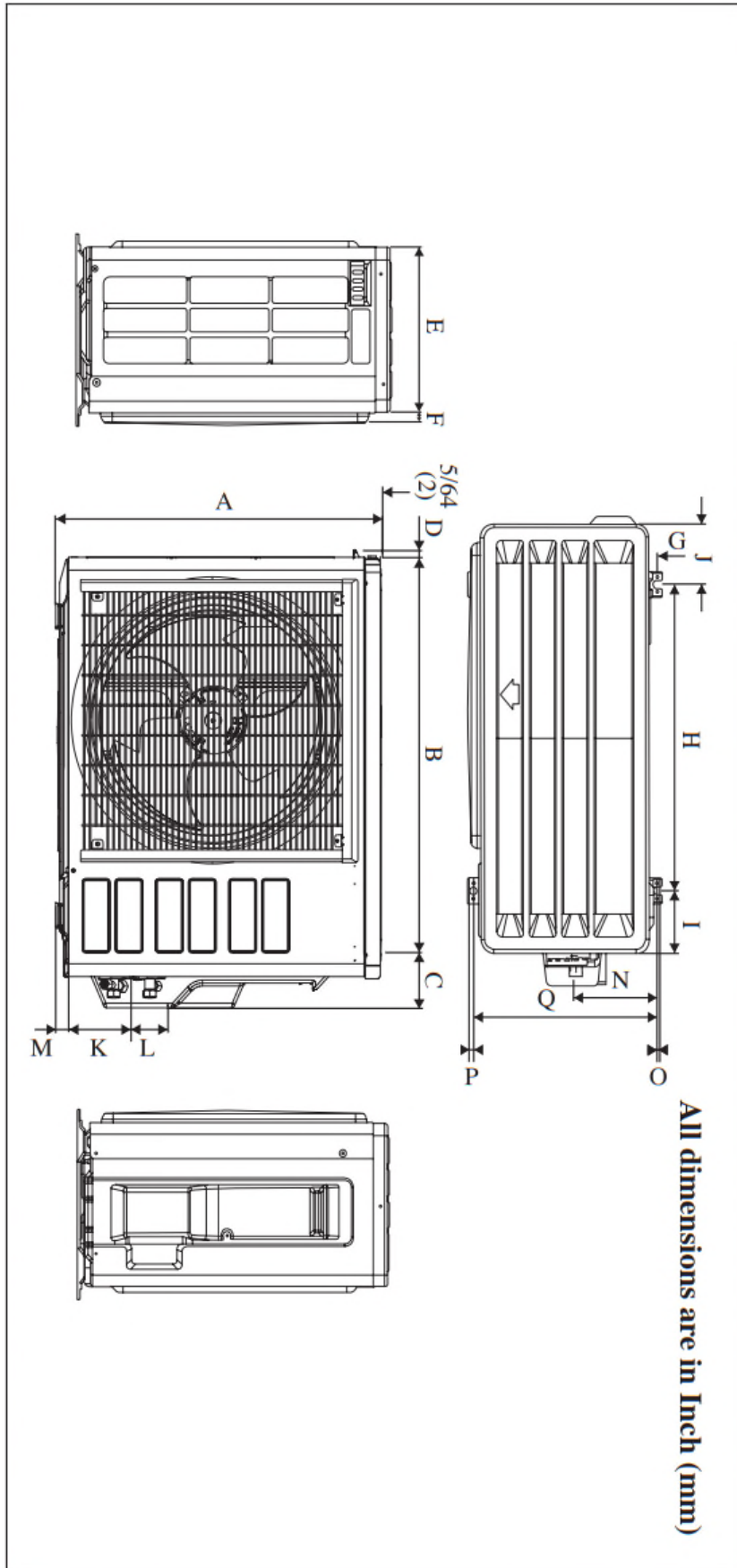


Model	Dimension			
09/12	A 35-1/16 (890)	B 11-11/16 (297)	C 8-1/4 (210)	N 32-2/3 (830)

Daikin North America LLC San Felipe, Suite 500 Houston, TX 77056

(Daikin's products are subject to continuous improvements. Daikin reserves the right to modify product design, specifications and information in this data sheet without notice and without incurring any obligations)

Model	Dimension	
09/12	A	21-5/8 (550)
	B	25-15/16 (658)
	C	2 (51)
	D	7/16 (11)
	E	10-3/4 (273)
	F	5/8 (16)
	G	9/16 (14)
	H	18-1/2 (470)
	I	3-3/4 (96)
	J	3-11/16 (93)
	K	3-11/16 (94)
	L	2-3/8 (60)
	M	9/16 (14)
	N	5-1/4 (133)
	O	5/16 (8)
	P	3/8 (10)
	Q	11-3/4 (299)



Daikin North America LLC San Felipe, Suite 500 Houston, TX 77056

(Daikin's products are subject to continuous improvements. Daikin reserves the right to modify product design, specifications and information in this data sheet without notice and without incurring any obligations)



Cooling Mode

AFR (CFM)	EWB	EDB	Outdoor temperature																	
			66.2°F			77.0°F			86.0°F			95.0°F			104.0°F			114.8°F		
			TC	SC	PI	TC	SC	PI	TC	SC	PI	TC	SC	PI	TC	SC	PI	TC	SC	PI
215	61.6°F	69.2°F	8294	6258	0.61	8001	6094	0.66	7703	5930	0.71	7394	5760	0.77	6790	5360	0.84	6269	5042	0.92
		74.6°F	8305	7493	0.61	8010	7322	0.66	7714	7151	0.71	7405	6974	0.77	6803	6513	0.84	6293	6145	0.92
		80.0°F	8371	8371	0.61	8092	8092	0.66	7808	7808	0.71	7514	7514	0.77	6933	6933	0.84	6450	6450	0.93
		85.4°F	8628	8628	0.61	8381	8381	0.66	8127	8127	0.72	7865	7865	0.78	7290	7290	0.85	6821	6821	0.94
	67.0°F	74.6°F	9149	5842	0.62	8828	5694	0.67	8504	5543	0.72	8167	5386	0.79	7506	5017	0.85	6939	4724	0.94
		80.0°F	9155	6684	0.62	8832	6534	0.67	8509	6384	0.72	8174	6230	0.79	7513	5827	0.85	6948	5520	0.94
		85.4°F	9169	8249	0.62	8852	8073	0.67	8539	7894	0.72	8216	7704	0.79	7564	7205	0.85	7018	6818	0.94
		90.8°F	9278	9278	0.62	8976	8976	0.67	8685	8685	0.73	8388	8388	0.79	7761	7761	0.86	7256	7256	0.95
	72.4°F	80.0°F	10065	5718	0.63	9717	5580	0.68	9362	5440	0.74	8997	5291	0.80	8273	4930	0.87	7658	4648	0.96
		85.4°F	10068	6969	0.63	9720	6820	0.68	9364	6665	0.74	8998	6507	0.80	8276	6091	0.87	7661	5776	0.96
		90.8°F	10074	8139	0.63	9725	7984	0.68	9371	7825	0.74	9005	7664	0.80	8286	7194	0.87	7680	6834	0.96
		96.2°F	10106	9229	0.63	9773	9044	0.68	9433	8856	0.74	9090	8661	0.80	8383	8120	0.87	7794	7703	0.96
272	61.6°F	69.2°F	8632	6529	0.61	8320	6361	0.66	8005	6192	0.72	7678	6017	0.78	7045	5603	0.84	6499	5273	0.93
		74.6°F	8658	7925	0.61	8347	7740	0.66	8034	7552	0.72	7710	7365	0.78	7083	6871	0.84	6547	6485	0.93
		80.0°F	8762	8762	0.62	8468	8468	0.67	8176	8176	0.72	7882	7882	0.78	7277	7277	0.85	6779	6779	0.94
		85.4°F	9128	9128	0.62	8863	8863	0.67	8593	8593	0.73	8314	8314	0.79	7703	7703	0.86	7200	7200	0.95
	67.0°F	74.6°F	9510	6177	0.62	9171	6022	0.67	8827	5865	0.73	8472	5704	0.79	7780	5315	0.86	7187	5010	0.95
		80.0°F	9526	7115	0.62	9186	6958	0.67	8843	6800	0.73	8488	6639	0.79	7799	6206	0.86	7210	5876	0.95
		85.4°F	9572	8777	0.62	9239	8587	0.68	8908	8395	0.73	8567	8190	0.79	7888	7657	0.86	7319	7234	0.95
		90.8°F	9731	9731	0.63	9435	9435	0.68	9134	9134	0.74	8831	8831	0.80	8180	8180	0.87	7648	7648	0.96
	72.4°F	80.0°F	10449	6048	0.63	10081	5906	0.69	9706	5757	0.75	9320	5601	0.81	8565	5224	0.88	7922	4929	0.97
		85.4°F	10462	7421	0.63	10093	7268	0.69	9717	7105	0.75	9331	6940	0.81	8576	6500	0.88	7933	6168	0.97
		90.8°F	10480	8696	0.64	10116	8530	0.69	9745	8356	0.75	9361	8178	0.81	8612	7671	0.88	7983	7283	0.97
		96.2°F	10545	9831	0.64	10205	9645	0.69	9848	9444	0.75	9490	9224	0.81	8755	8632	0.88	8163	8143	0.97
330	61.6°F	69.2°F	8952	6814	0.62	8624	6641	0.67	8293	6466	0.72	7949	6285	0.78	7291	5854	0.85	6721	5509	0.94
		74.6°F	8999	8280	0.62	8672	8084	0.67	8346	7886	0.73	8009	7679	0.79	7355	7166	0.85	6795	6756	0.94
		80.0°F	9144	9144	0.62	8845	8845	0.67	8546	8546	0.73	8240	8240	0.79	7614	7614	0.86	7096	7096	0.95
		85.4°F	9602	9602	0.63	9321	9321	0.68	9034	9034	0.74	8737	8737	0.80	8090	8090	0.87	7555	7555	0.96
	67.0°F	74.6°F	9853	6536	0.63	9497	6375	0.68	9136	6211	0.74	8764	6043	0.80	8043	5634	0.87	7426	5314	0.95
		80.0°F	9882	7562	0.63	9527	7389	0.68	9169	7216	0.74	8800	7040	0.80	8080	6584	0.87	7467	6229	0.96
		85.4°F	9964	9306	0.63	9612	9103	0.68	9267	8895	0.74	8912	8672	0.80	8206	8100	0.87	7617	7617	0.96
		90.8°F	10180	10180	0.63	9882	9882	0.69	9578	9578	0.74	9262	9262	0.81	8580	8580	0.88	8025	8025	0.97
	72.4°F	80.0°F	10812	6394	0.64	10428	6254	0.69	10036	6097	0.75	9632	5937	0.82	8847	5540	0.88	8177	5231	0.97
		85.4°F	10835	7883	0.64	10449	7734	0.69	10056	7565	0.75	9652	7393	0.82	8868	6923	0.88	8202	6563	0.97
		90.8°F	10872	9238	0.64	10496	9077	0.69	10110	8886	0.75	9713	8690	0.82	8936	8145	0.89	8278	7730	0.98
		96.2°F	10969	10431	0.64	10626	10241	0.70	10258	10017	0.76	9889	9768	0.82	9137	9111	0.89	8524	8524	0.98

Heating Mode

Indoor DB°F	Outdoor WB°F											
	5.0		14.0		23.0		32.0		42.8		50.0	
	TC	PI	TC	PI	TC	PI	TC	PI	TC	PI	TC	PI
60.8	4716	0.56	5851	0.60	6985	0.63	8136	0.67	9497	0.72	10405	0.75
64.4	4668	0.58	5802	0.62	6953	0.66	8087	0.70	9449	0.75	10356	0.78
68.0	4619	0.61	5753	0.65	6904	0.69	8039	0.73	9400	0.77	10308	0.81
69.8	4603	0.62	5737	0.66	6872	0.70	8006	0.74	9384	0.79	10291	0.82
71.6	4570	0.64	5721	0.68	6856	0.71	7990	0.76	9351	0.80	10259	0.83
75.2	4522	0.67	5672	0.71	6807	0.75	7941	0.78	9303	0.83	10210	0.86

Remark:

- AFR: Air flow rate (CFM)
- EWB: Entering Wet Bulb Temp. (°F)
- EDB: Entering Dry Bulb Temp. (°F)
- TC: Total Cooling Capacity (Btu/h)
- SC: Sensible Cooling Capacity (Btu/h)
- PI: Power Input (kW)

Notes:

- Ratings shown are net capacities.
- Shows nominal capacities.
- Direct interpolation is permissible. Do not extrapolate.