



## Submittal Data Sheet

1.5-Ton Roundflow Cassette Cooling Only

FCQ18PAVJU-RZR18PVJU8

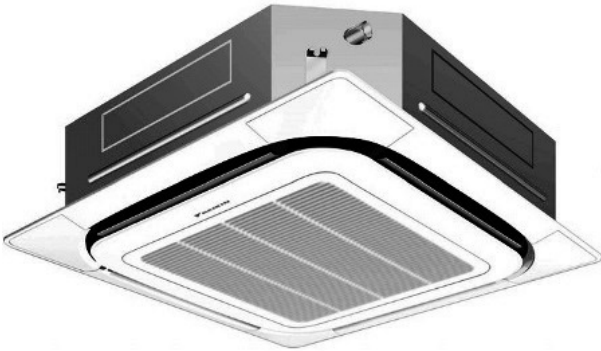
### FEATURES

- 23 configurable airflow patterns ensure ideal air distribution for maximum comfort
- 360° airflow reduces draft
- Lower air velocities provide better airflow distribution
- Condensate pump provided standard
- Outside air integration possible
- 10 year limited parts and compressor warranty

### BENEFITS

- Optional wired controller
- Maximum piping length up to 164 ft. allows flexible placement of indoor unit
- Maximum piping height separation up to 98 ft.
- Low ambient cooling operation down to 0°F (with optional wind baffle(s))

### INDOOR UNIT



### OUTDOOR UNIT





## Submittal Data Sheet

1.5-Ton Roundflow Cassette Cooling Only

FCQ18PAVJU-RZR18PVJU8

### SYSTEM PERFORMANCE

Indoor Unit Model No.	FCQ18PAVJU	Indoor Unit Name:	Sky-Air Round Flow Cassette - P Series
Outdoor Unit Model No.	RZR18PVJU8	Outdoor Unit Name:	Sky-Air Cooling Only ODU
Rated Cooling Capacity (Btu/hr):	18,000	Rated Cooling Conditions:	Indoor (°F DB/WB): 80 / 67 Ambient (°F DB/WB): 95 / 75
Sensible Capacity (Btu/hr):	14,100	Rated Piping Length(ft):	25
Max/Min Cooling Capacity (Btu/hr):	/	Rated Height Difference (ft):	0.00
Cooling Input Power (kW):	1.380	Rated Heating Conditions:	Indoor (°F DB/WB): 70 / 60 Ambient (°F DB/WB): 47 / 43
SEER (Non-Ducted/Ducted):	18.60 /		
EER (Non-Ducted/Ducted):	13.00 /		
Heating Input Power (kW):	1.82		

### SYSTEM DETAILS

Refrigerant Type:	R-410A	Cooling Operation Range (°F DB):	23 - 115
Holding Refrigerant Charge (lbs):	5.10	Heating Operation Range (°F WB):	-
Additional Charge (lb/ft):	0.04	Max. Pipe Length (Vertical) (ft):	98
Pre-charge Piping (Length) (ft):	0	Cooling Range w/Baffle (°F DB):	0 - 115
Max. Pipe Length (Total) (ft):	164	Heating Range w/Baffle (°F WB):	-
Max Height Separation (Ind to Ind ft):	0		

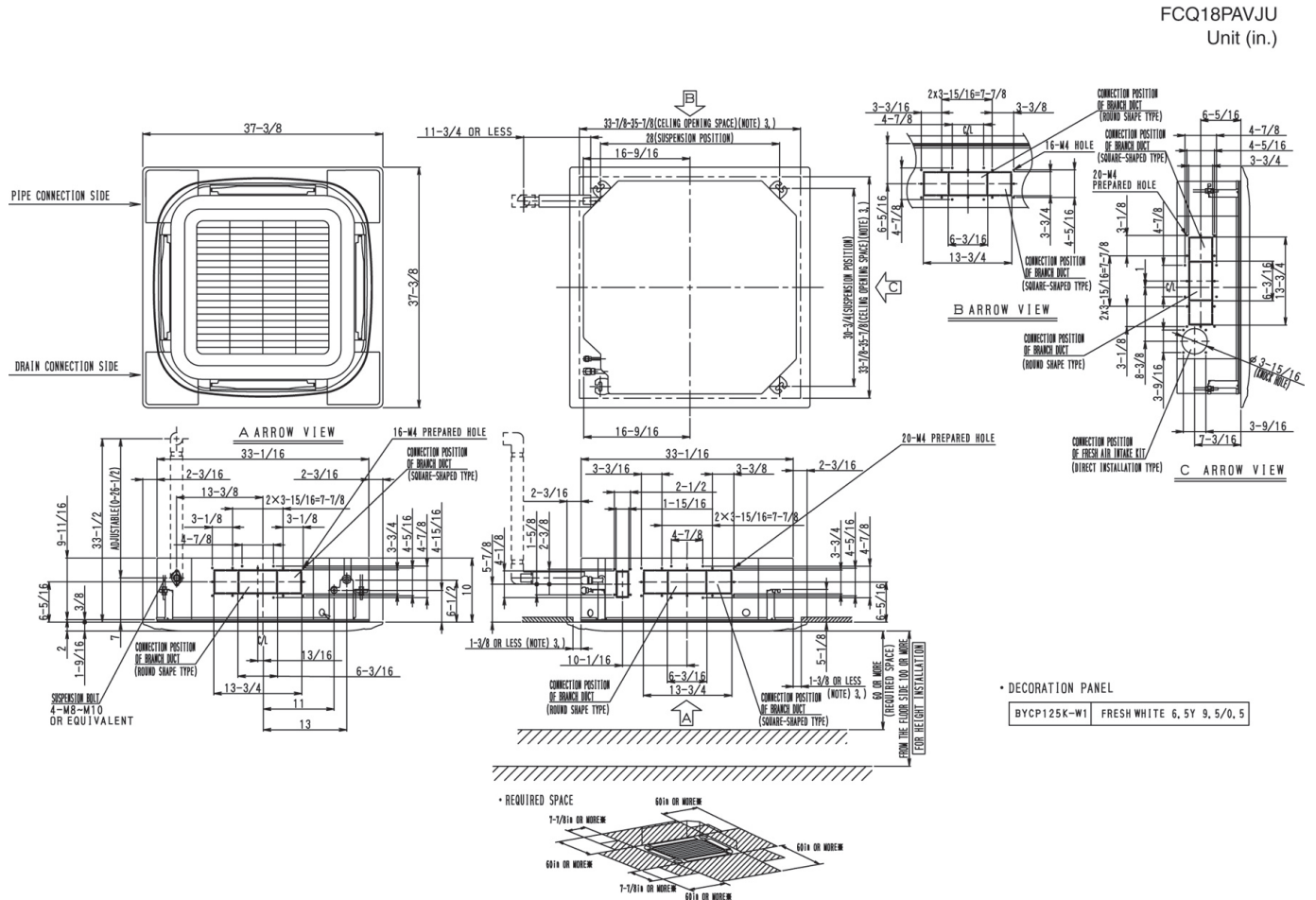
# Submittal Data Sheet

1.5-Ton Roundflow Cassette Cooling Only  
FCQ18PAVJU-RZR18PVJU8

**INDOOR UNIT DETAILS**

Power Supply (V/Hz/Ph):	208/230 / 60 / 1	Airflow Rate (H/M/L) (CFM):	560/470/390
Power Supply Connections:	L1, L2, Ground	Moisture Removal (Gal/hr):	
Min. Circuit Amps MCA (A):	0.4	Gas Pipe Connection (inch):	1/2
Max Overcurrent Protection (MOP) (A):	15	Liquid Pipe Connection (inch):	1/4
Dimensions (HxWxD) (in):	9-11/16 x 33-1/16 x 33-1/16	Condensate Connection (inch):	1
Net Weight (lb):	43	Sound Pressure (H/M/L) (dBA):	32/30/27
Ext. Static Pressure (Rated/Max) (inWg):	0 / 0	Sound Power Level (dBA):	

## DIMENSIONAL DRAWING - INDOOR UNIT





# Submittal Data Sheet

1.5-Ton Roundflow Cassette Cooling Only

FCQ18PAVJU-RZR18PVJU8

**OUTDOOR UNIT DETAILS**

Power Supply (V/Hz/Ph):	208/230 / 60 / 1	Compressor Stage:	
Power Supply Connections:	L1, L2, Ground	Capacity Control Range (%):	-
Min. Circuit Amps MCA (A):	16.5	Airflow Rate (H) (CFM):	1835
Max Overcurrent Protection (MOP) (A):	20	Gas Pipe Connection (inch):	5/8
Max Starting Current MSC(A):		Liquid Pipe Connection (inch):	3/8
Rated Load Amps RLA(A):		Sound Pressure (H) (dBA):	49
Dimensions (HxWxD) (in):	30-5/16 x 35-7/16 x 12-5/8	Sound Power Level (dBA):	
Net Weight (lb):	150		

## DIMENSIONAL DRAWING - OUTDOOR UNIT

RZR18PVJU8 / RZR24PVJU8 / RZR30PVJU8  
 RZQ18PVJU8 / RZQ24PVJU8 / RZQ30PVJU8

Unit: in.

