

Inverter Driven Heat Pump

15,000 BTU Single Zone High SEER Wall Mounted System

Job Name _____
 Location _____
 Engineer _____
 Submitted To _____
 Submitted By _____
 Reference _____

Date _____
 Approval _____
 Construction _____
 Unit No _____
 Drawing No _____

PRODUCT FEATURES

- Auto Changeover
- Weekly & 24 hr. Timer
- Auto Louver: 4 way
- Minimum Heat Mode
- Auto Restart
- Economy Mode
- Energy Saving Program (ESP)
- Wireless Remote control
- Outdoor Unit Low Noise Schedule



MODEL NUMBERS

Indoor Unit	ASUG15LZBS
Outdoor Unit	AOUG15LZAH1
System	15LZBH1

EFFICIENCIES

SEER	25.3	
EER	13.9	
HSPF	13.3	
COP	kW/kW	4.60
	BTU/hW	15.70

OUTDOOR TEMPERATURE OPERATION RANGE

Cooling	°F(°C)	14 to 115 (-10 to 46)
Heating		-15 to 75 (-26 to 24)

CAPACITIES

Cooling	Rated	BTU/hW	14,500
	Min.-Max.		3,100-18,400
Heating	Rated		18,000
	Min.-Max.		3,100-23,900

LINESET REQUIREMENTS

Connection Method	Flare	
Liquid	in (mm)	Ø1/4 (Ø6.35)
Gas		Ø1/2 (Ø12.7)
Pre-Charge Length	ft (m)	49 (15)
Minimum Length		16 (5)
Maximum Length		66 (20)
Max. Height Diff.		49 (15)

INDOOR DIMENSIONS & WEIGHT

Net (H x W x D)	in	11 x 38-9/16 x 9-7/16
	mm	280 x 980 x 240
Gross (H x W x D)	in	12- 11/16 x 42- 7/16 x 13- 10/16
	mm	322 x 1078 x 346
Net Weight	lb (kg)	29 (13)
Gross Weight		37 (17)

OUTDOOR DIMENSIONS & WEIGHT

Net (H x W x D)	in	24-7/8 x 31-7/16 x 11-7/16
	mm	632 x 799 x 290
Gross (H x W x D)	in	27- 4/16 x 37 x 14- 12/16
	mm	692 x 940 x 375
Net Weight	lb (kg)	88 (40)
Gross Weight		95 (43)



Indoor Unit ETL#: 91987
 Outdoor Unit ETL#: 91987

Effective Date: 7/13/2021

Warranty Information



7 Year Compressor, 5 Year Parts out-of-the-box Warranty



10 Year Compressor, 10 Year Parts Warranty when registered within 60 days of installation in a residence



12 Year Compressor, 12 Year Parts Warranty when registered within 60 days of installation in a residence, and installed by a Fujitsu Elite contractor

ACCESSORIES

UTY-TTRX	3rd Party Thermostat Converter
UTY-TWRXZ2	Interface Kit
UTY-RNRUZ5	Wired Remote Controller (Touch Panel)
UTY-RSRY	Simple Remote Control
UTY-RHRY	Simple Remote Control (Hospitality)
UTY-TFSXF1	WiFi Interface Module



This system combination is Energy Star qualified



+App available in Apple® App Store and Google® Play Store.

Due to continuous product improvements, specifications are subject to change without notice. Please log in to the Fujitsu Portal for the most up-to-date documentation <https://portal.fujitsugeneral.com>

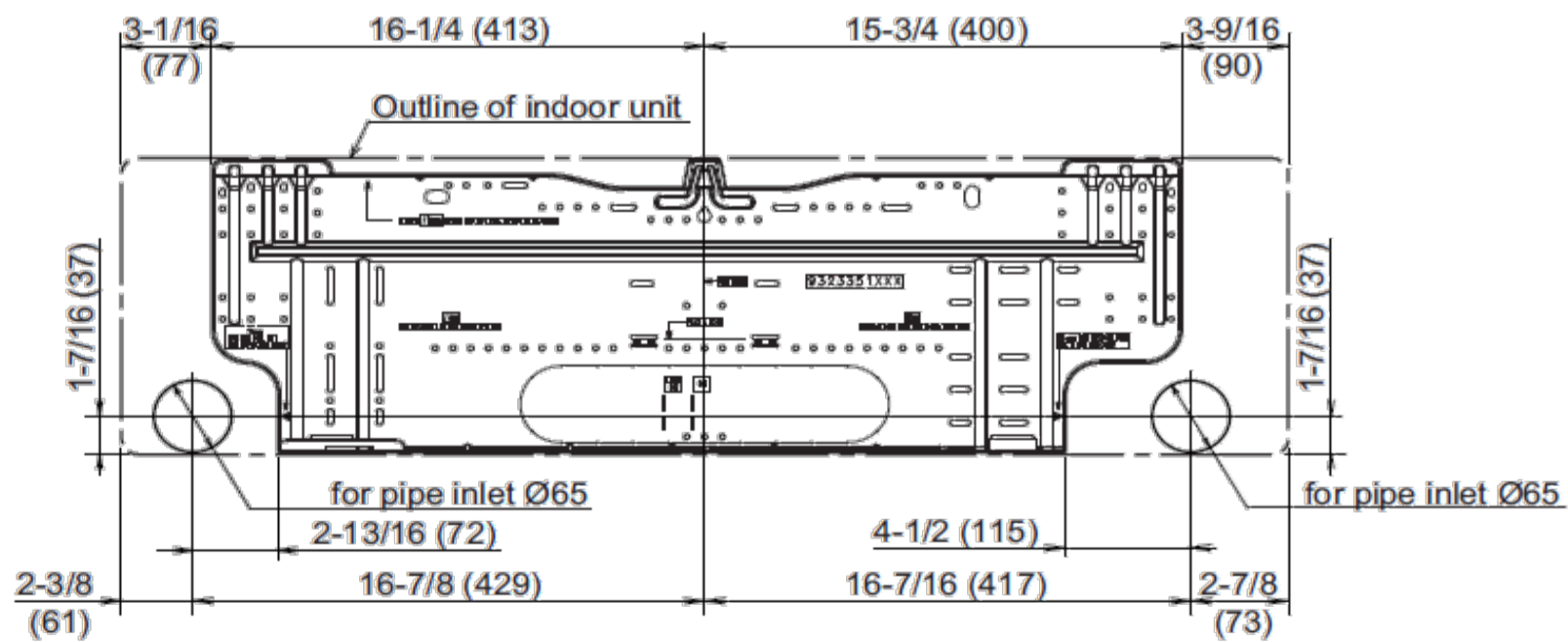
Inverter Driven Heat Pump

15,000 BTU Single Zone High SEER Wall Mounted System

FAN DATA				ELECTRICAL SPECIFICATIONS					
Indoor Unit Airflow Rate	Cooling	High	583 (996)	Voltage/Frequency/Phase		208/230 V / 1Ø / 60Hz			
		Medium	459 (780)	Voltage Range		187-253V~60HZ			
		Low	312 (530)	Current	Cooling	Rated	4.8		
		Quiet	241 (410)		Heating	Rated	5.2		
	Heating	High	583 (996)	Maximum Operating Current		Cooling	9.9		
		Medium	459 (780)			Heating	14.4		
		Low	312 (530)	Starting Current		5.2			
		Quiet	241 (410)	MCA		17.5			
Outdoor Unit Airflow Rate		Cooling	1218 (2,070)	Maximum Circuit Breaker		20			
		Heating	1348 (2,290)	Input Power	Cooling	Rated	1.04		
					Min.-Max.		0.15-1.56		
				Heating		Rated	1.15		
						Min.-Max.	0.15-2.19		
				Power Factor	Cooling			94	
				Heating				96	
SOUND PRESSURE				OTHER					
Indoor Unit	Cooling	High	45	Moisture Removal		pints/h (L/h)	4 (1.9)		
		Medium	40	Energy Star		Yes			
		Low	32	Drain hose		Material	PP+LLDPE		
		Quiet	26	Outdoor Unit	Cooling	49			
	Heating	High	45		Size		in (mm)	Ø 17/32 (Ø 13.8) (I.D.) Ø 5/8 to Ø 21/32 (Ø 15.8 to Ø 16.7) (O.D.)	
		Medium	39		Operation Range	Cooling	°F (°C)	64 to 90 (18 to 32)	
		Low	32			%RH		80 or less	
		Quiet	26	Heating		°F (°C)	60 to 86 (16 to 30)		
REFRIGERANT									
Type		R410A							
Charge	lb oz	21b 16oz							
	kg	1							
Oil Type		POE (RB68)							

Wall Bracket Data:

Units: In. (mm)



The Fujitsu logo is a worldwide trademark of Fujitsu General Limited. The Halcyon logo and name is a worldwide trademark of Fujitsu General Limited and is a registered trademark in Japan, the USA and other countries or areas. Copyright 2018 Fujitsu General America, Inc. Fujitsu's products are subject to continuous improvements. Fujitsu reserves the right to modify product design, specifications and information in this brochure without notice and without incurring any obligations.

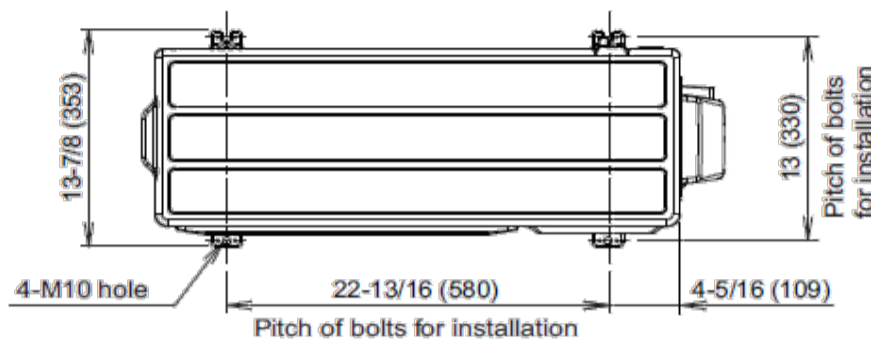
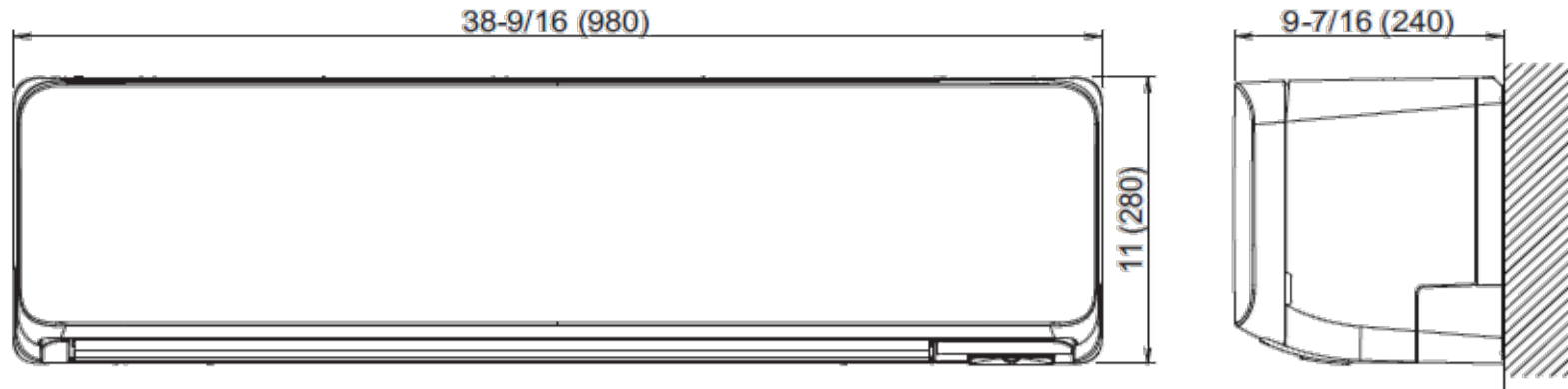
Note: Specifications are based on the following conditions:
 Cooling: Indoor temperature of 80°F (26.7°C) DB/67°F (19.4°C) WB, and outdoor temperature of 95°F (35°C) DB/75°F (23.9°C) WB. Heating: Indoor temperature of 70°F (21.1°C) DB/60°F (15.6°C) WB, and outdoor temperature of 47°F (8.3°C) DB/43°F (6.1°C) WB. Pipe length: 25ft. (7.5m), Height difference: 0ft. (0m) (Outdoor unit - indoor unit).

Inverter Driven Heat Pump

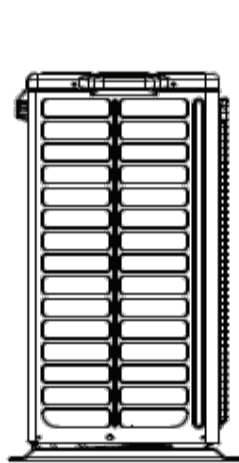
15,000 BTU Single Zone High SEER Wall Mounted System

DIMENSIONS

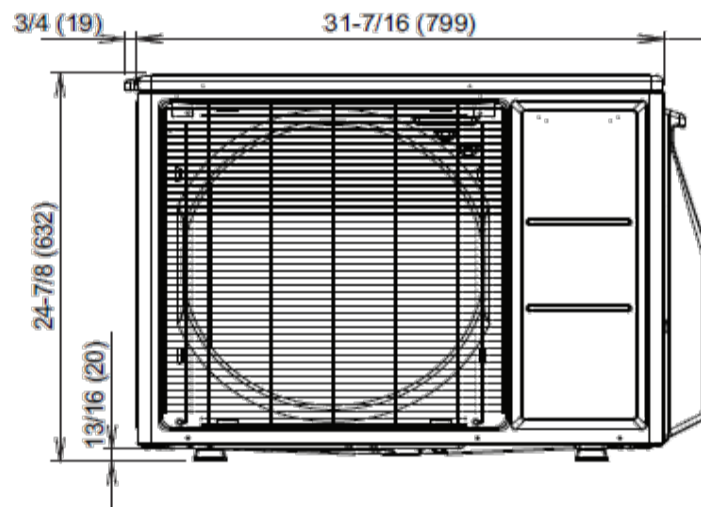
Units: In. (mm)



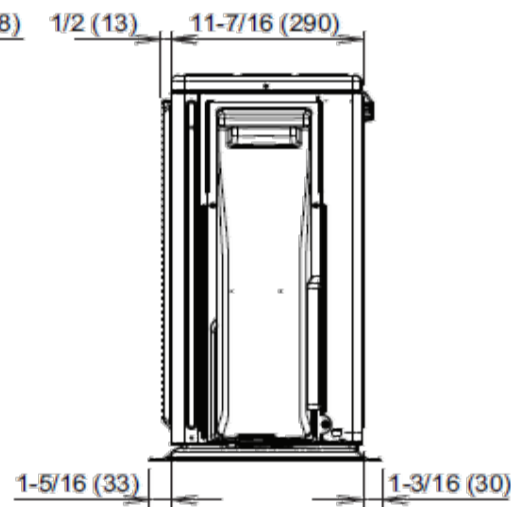
Top view



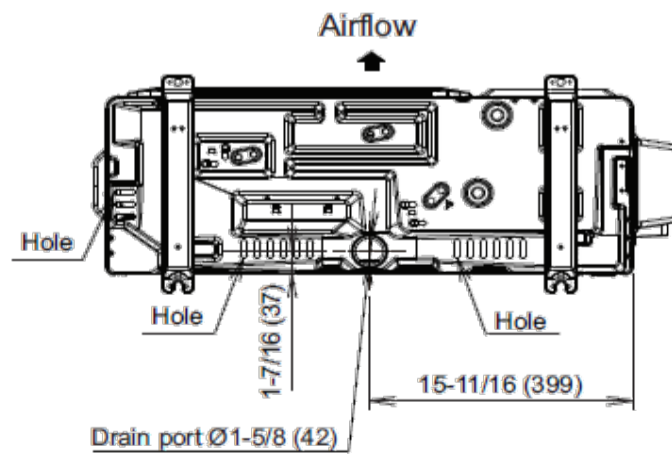
Side view



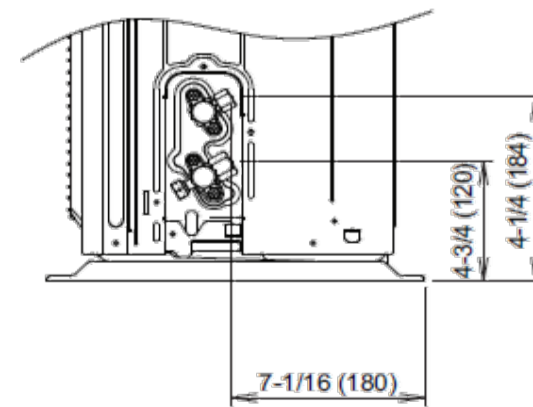
Front view



Side view



Bottom view



Side view (Valve part)

The Fujitsu logo is a worldwide trademark of Fujitsu General Limited. The Halcyon logo and name is a worldwide trademark of Fujitsu General Limited and is a registered trademark in Japan, the USA and other countries or areas. Copyright 2018 Fujitsu General America, Inc. Fujitsu's products are subject to continuous improvements. Fujitsu reserves the right to modify product design, specifications and information in this brochure without notice and without incurring any obligations.

Note: Specifications are based on the following conditions:
 Cooling: Indoor temperature of 80°F (26.7°C) DB/67°F (19.4°C) WB, and outdoor temperature of 95°F (35°C) DB/75°F (23.9°C) WB. Heating: Indoor temperature of 70°F (21.1°C) DB/60°F (15.6°C) WB, and outdoor temperature of 47°F (8.3°C) DB/43°F (6.1°C) WB. Pipe length: 25ft. (7.5m), Height difference: 0ft. (0m) (Outdoor unit - indoor unit).