

**Inverter Driven Heat Pump**

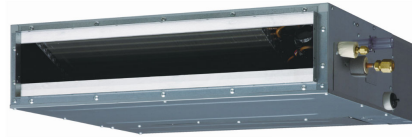
**18,000 BTU Single Zone Slim Ducted**

Job Name \_\_\_\_\_  
 Location \_\_\_\_\_  
 Engineer \_\_\_\_\_  
 Submitted To \_\_\_\_\_  
 Submitted By \_\_\_\_\_  
 Reference \_\_\_\_\_

Date \_\_\_\_\_  
 Approval \_\_\_\_\_  
 Construction \_\_\_\_\_  
 Unit No \_\_\_\_\_  
 Drawing No \_\_\_\_\_

**PRODUCT FEATURES**

- Auto Changeover
- 24 hr./Weekly Timer
- Built in condensate Pump
- Auto Restart
- Economy Mode
- Auto Fan Mode
- Daisy Chain Compatible



**MODEL NUMBERS**

Indoor Unit	ARU18RLF
Outdoor Unit	AOU18RLFC
System	18RLFC

**EFFICIENCIES**

SEER	19.7	
EER	12.0	
HSPF	10.5	
COP	3.50	
	Btu/hW	12.3

**OUTDOOR TEMPERATURE OPERATION RANGE**

Cooling	*F(*C)	14 to 115 (-10 to 46)
Heating		-5 to 75 (-21 to 24)

**CAPACITIES**

Cooling	Rated	BTU/hW	18,000
	Min.-Max.		3,100-20,100
Heating	Rated		21,600
	Min.-Max.		3,100-25,600

**LINESET REQUIREMENTS**

Connection Method	Flare		
Liquid	in (mm)		Ø1/4 (Ø6.35)
Gas			Ø 1/2 (Ø 12.7)
Pre-Charge Length			49 (15)
Minimum Length	ft (m)		10 (3)
Maximum Length			66 (20)
Max. Height Diff.			49 (15)

**INDOOR DIMENSIONS & WEIGHT**

Net (H x W x D)	in	7-13/16 x 35-7/16 x 24-7/16
	mm	198 x 900 x 620
Gross (H x W x D)	in	10-13/16 x 45-1/16 x 30-3/8
	mm	274 x 1145 x 772
Net Weight	lb (kg)	49(22)
Gross Weight		60(27)

**OUTDOOR DIMENSIONS & WEIGHT**

Net (H x W x D)	in	24 - 1/2 x 31 - 3/32 x 11 - 11/32
	mm	830 x 900 x 330
Gross (H x W x D)	in	28 - 1/16 x 37-7/32 x 15 - 9/16
	mm	713 x 945 x 395
Net Weight		86 (39)
Gross Weight	lb (kg)	95 (43)

**Warranty Information**



7 Year Compressor, 5 Year Parts out-of-the-box Warranty



10 Year Compressor, 10 Year Parts Warranty when registered within 60 days of installation in a residence



12 Year Compressor, 12 Year Parts Warranty when registered within 60 days of installation in a residence, and installed by a Fujitsu Elite contractor

**ACCESSORIES**

UTY-TTRX	3rd Party Thermostat Converter
UTD-ECS5A	Slim Duct Connector Kit
UTY-LRHUM	Wireless Remote Receiver Kit
UTY-RVNUM	Wired Remote w/backlight
UTY-RSNUM	Simple Remote
UTY-XSZX	Remote Sensor
FJ-RC-WIFI-1NA	Intesis Wired WiFi Module
FJ-IR-WIFI-1NA	Intesis IR WiFi Module
UTY-TFNXZ2	WiFi Interface Module
UTD-GXSB-W	Auto Louver Grill Kit



Indoor Unit ETL#: 3170288  
 Outdoor Unit ETL#: 91987

Due to continuous product improvements, specifications are subject to change without notice. Please log in to the Fujitsu Portal for the most up-to-date documentation <https://portal.fujitsugeneral.com>

**Inverter Driven Heat Pump 18,000 BTU Single Zone Slim Ducted**

FAN DATA			
Indoor Unit Airflow Rate	Cooling	High	554 (940)
		Medium	518 (880)
		Low	483 (820)
		Quiet	442 (750)
	Heating	High	554 (940)
		Medium	518 (880)
		Low	483 (820)
		Quiet	442 (750)
Outdoor Unit Airflow Rate	Cooling	1206 (2050)	
	Heating	1407 (2355)	
SOUND PRESSURE			
Indoor Unit	Cooling	High	32
		Medium	30
		Low	29
		Quiet	27
	Heating	High	32
		Medium	30
		Low	29
		Quiet	27
Outdoor Unit	Cooling	52	
	Heating	55	
REFRIGERANT			
Type	R410A		
Charge	lb oz	2lbs.14oz.	
	kg	1	
Oil Type	FREOL α68SZ		

ELECTRICAL SPECIFICATIONS			
Voltage/Frequency/Phase			208/230V~60HZ
Voltage Range			187-253V~60HZ
Current	Cooling	Rated	6.6
	Heating	Rated	7.3
Maximum Operating Current	A	Cooling	10
		Heating	14
Starting Current			7.7
MCA			17.3
Maximum Circuit Breaker			
Input Power	Cooling	Rated	1.5
		Max	2.15
	Heating	Rated	1.67
		Max	2.60
Power Factor	Cooling	%	98
	Heating		99
OTHER			
Moisture Removal		pints/h (L/h)	4.2 (2.0)
Energy Star			No
Drain hose		Material	Hard PVC
Size	in (mm)	Ø 3/4 (Ø 20.7) (I.D.) Ø 1-1/16 (Ø 26.6) (O.D.)	
Operation Range	Cooling	°F (°C)	64 to 90 (18 to 32)
		%RH	80 or less
	Heating	°F (°C)	60 to 88 (16 to 30)
Static Pressure in W.C.			0 ~ 0.36

**Auto Louver Grill Data (SOLD SEPARATELY):**



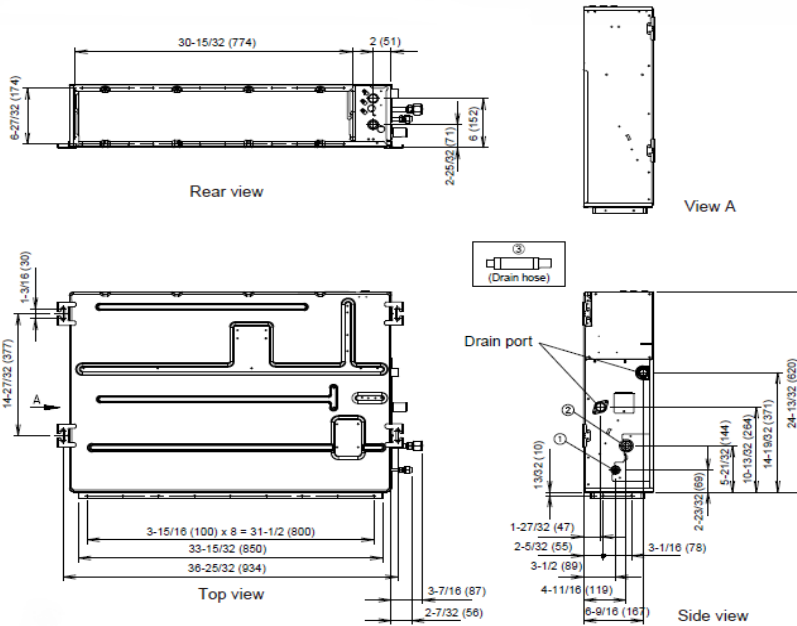
Model name		UTD-GXSA-W	UTD-GXSB-W
Power Supply		Connecting with Control box of indoor unit	
Attachment of Auto Louver		Louver attached by screws to the flange or rectangular duct	
Extension Square Duct Limit	in. (mm)	39-3/8 (1.0) (Max. duct length between indoor unit and Grille)	
Net Dimension (H x W x D)	in. (mm)	7-1/16x26-7/8x(3-5/16+3/8)	7-1/16x34-3/4x(3-5/16+3/8)
		[180x683x(84+9)]	[180x883x(84+9)]
Weight	Net	4.4 (2.0)	5.6 (2.5)
	Gross	6.7 (3.0)	7.8 (3.5)
Color		White	
Louver Motor		Stepping Motor	
Material		Flame retardant ABS	
Accessories		Attachment Frame	
Operation range	Cooling	°F (°C)	64 to 90 (18 to 32)
		% RH	80% or less
	Heating	°F (°C)	60 to 88 (16 to 30)

The Fujitsu logo is a worldwide trademark of Fujitsu General Limited. The Halcyon logo and name is a worldwide trademark of Fujitsu General Limited and is a registered trademark in Japan, the USA and other countries or areas. Copyright 2018 Fujitsu General America, Inc. Fujitsu's products are subject to continuous improvements. Fujitsu reserves the right to modify product design, specifications and information in this brochure without notice and without incurring any obligations.

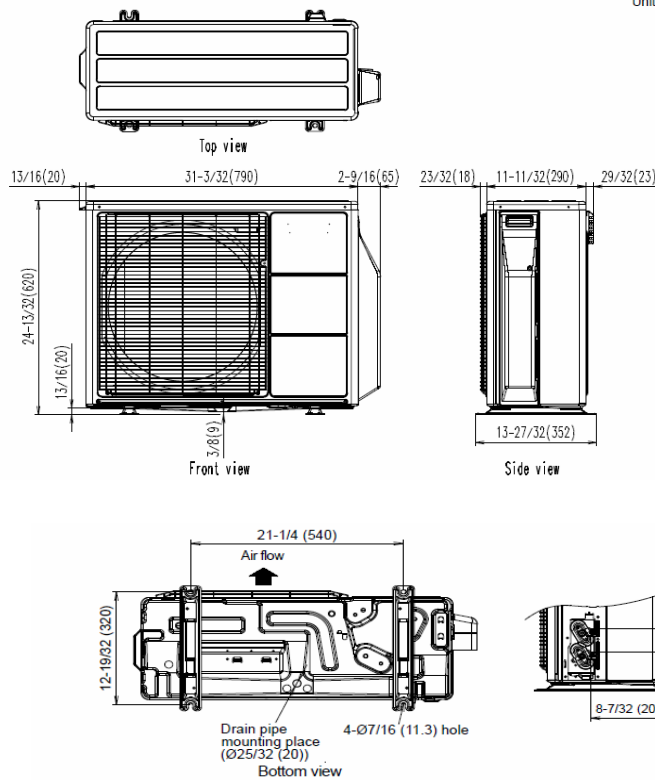
Note: Specifications are based on the following conditions:  
 Cooling: Indoor temperature of 80°F (26.7°C) DB/67°F (19.4°C) WB, and outdoor temperature of 95°F (35°C) DB/75°F (23.9°C) WB. Heating: Indoor temperature of 70°F (21.1°C) DB/60°F (15.6°C) WB, and outdoor temperature of 47°F (8.3°C) DB/43°F (6.1°C) WB. Pipe length: 25ft. (7.5m), Height difference: 0ft. (0m) (Outdoor unit - indoor unit).

Inverter Driven Heat Pump 18,000 BTU Single Zone Slim Ducted System

DIMENSIONS



Unit : in. (mm)



The Fujitsu logo is a worldwide trademark of Fujitsu General Limited. The Halcyon logo and name is a worldwide trademark of Fujitsu General Limited and is a registered trademark in Japan, the USA and other countries or areas. Copyright 2018 Fujitsu General America, Inc. Fujitsu's products are subject to continuous improvements. Fujitsu reserves the right to modify product design, specifications and information in this brochure without notice and without incurring any obligations.

Note: Specifications are based on the following conditions:  
 Cooling: Indoor temperature of 80°F (26.7°C) DB/67°F (19.4°C) WB, and outdoor temperature of 95°F (35°C) DB/75°F (23.9°C) WB. Heating: Indoor temperature of 70°F (21.1°C) DB/60°F (15.6°C) WB, and outdoor temperature of 47°F (8.3°C) DB/43°F (6.1°C) WB. Pipe length: 25ft. (7.5m), Height difference: 0ft. (0m) (Outdoor unit - indoor unit).