

Project Name: \_\_\_\_\_  
 Location: \_\_\_\_\_  
 Engineer: \_\_\_\_\_  
 Submitted to: \_\_\_\_\_  
 Submitted by: \_\_\_\_\_  
 Reference: \_\_\_\_\_

Approval: \_\_\_\_\_  
 Date: \_\_\_\_\_  
 Construction: \_\_\_\_\_  
 Unit #: \_\_\_\_\_  
 Drawing #: \_\_\_\_\_

## Performance

Indoor Unit Model No: FHQ18PVJU  
 Outdoor Unit Model No: RZQ18PVJU9  
 Rated Cooling Capacity (Btu/hr): 18000  
 Sensible Capacity (Btu/hr): 13300  
 Max/Min Cooling Capacity (Btu/hr / kW): databook/databook  
 Cooling Input Power (kW): 1.57  
 SEER: 18  
 Rated Heating Capacity (Btu/hr): 20000  
 Max/Min Heating Capacity (Btu/hr / kW): databook/databook  
 Heating Input Power (kW): 1.68  
 Heating COP (Btu/hr / Btu/hr): 3.81  
 HSPF: 11.1

Indoor Unit Type: Ceiling Suspended  
 Condensing Unit Type: SkyAir Heat Pump  
 Rated Cooling Conditions: Indoor: 80°F DB/67°F WB  
 Outdoor: 95°F DB/75°F WB  
 Rated Heating Conditions: Indoor: 70°F DB/60°F WB  
 Outdoor: 47°F DB/43°F WB  
 Rated Piping Length(ft): 25  
 Rated Height Separation(ft): 0

## Indoor Unit Details

Power Supply (V/Hz/Ph): 208-230/60/1ph  
 Power Supply Connections: L1, L2, Ground  
 Min Circuit Amps MCA (A): 1.3  
 Max Overcurrent Amps MFA (A): 15  
 Dimensions (HxWxD): 7-11/16x62-5/8x26-3/4  
 Panel (HxWxD): N/A  
 Net Weight (lbs): 90  
 Weight with Panel (lbs): \_\_\_\_\_

Airflow Rate (CFM wet coil): 790//670  
 Moisture Removal (pt/h): \_\_\_\_\_  
 Gas Pipe Connection (inch): 5/8  
 Liquid Pipe Connection (inch): 3/8  
 Condensate Connection (inch): 1  
 Sound Pressure Level (dBA): 45  
 Sound Power Level (dBA): \_\_\_\_\_  
 Static Pressure Rated/Max (inWg): 0 / 0/0

## Condensing Unit Details

Power Supply (V/Hz/Ph): 208-230/60/1ph  
 Power Supply Connections: L1, L2, Ground  
 Min. Circuit Amps MCA (A): 16.5  
 Max. Overcurrent Amps MFA (A): 20  
 Max. Starting Current MSC(A): \_\_\_\_\_  
 Rated Load Amps RLA (A): 7.1  
 Dimensions (HxWxD): 30-5/16x35-7/16x12-5/8  
 Net Weight (lbs): 150

Compressor Type: Inverter  
 Capacity Control Range (%): 35 - 100  
 Airflow Rate (CFM): 1835  
 Gas Pipe Connection (inch): 5/8  
 Liquid Pipe Connection (inch): 3/8  
 Sound Pressure Level (dBA): 49  
 Sound Power Level (dBA): \_\_\_\_\_

## System Details

Refrigerant Type: R-410A  
 Holding Refrigerant Charge (lbs): 5.1  
 Additional Charge (oz/ft): 0.036lbs/ft  
 Pre-charge Piping (Length ft): -  
 Max. Pipe Length (Total ft): 164 ft

Max. Pipe Length (Vertical ft): 98 ft  
 Cooling Operation Range (°F): 23 - 115  
 Cooling Range w/Baffle (°F): 0 - 115  
 Heating Operation Range (°F): 0 - 77  
 Heating Range w/Baffle (°F): 0 - 77

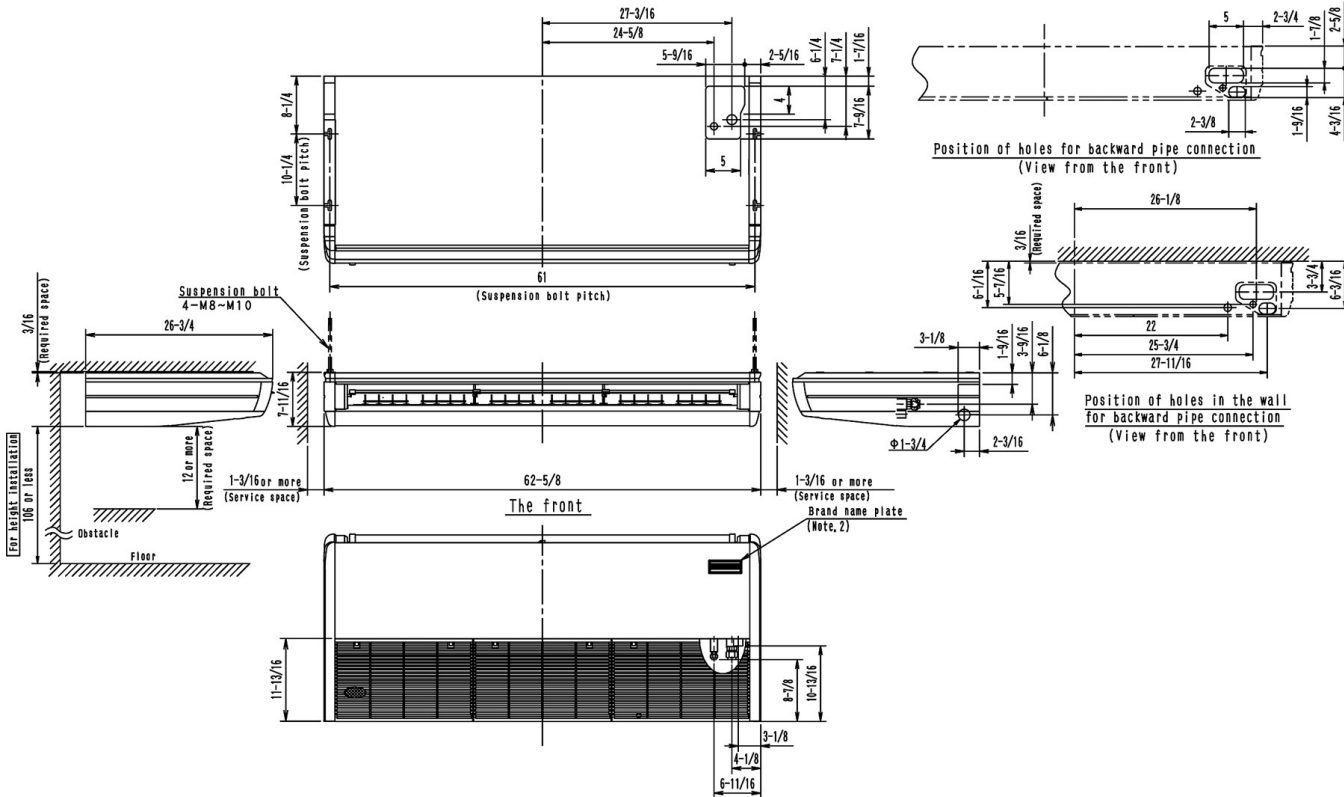
Project Name: \_\_\_\_\_  
 Location: \_\_\_\_\_  
 Engineer: \_\_\_\_\_  
 Submitted to: \_\_\_\_\_  
 Submitted by: \_\_\_\_\_  
 Reference: \_\_\_\_\_

Approval: \_\_\_\_\_  
 Date: \_\_\_\_\_  
 Construction: \_\_\_\_\_  
 Unit #: \_\_\_\_\_  
 Drawing #: \_\_\_\_\_

## Dimensional Drawing - Indoor Unit

FHQ18PVJU

FHQ18/24/30/36/42MVJU  
 Unit (in.)

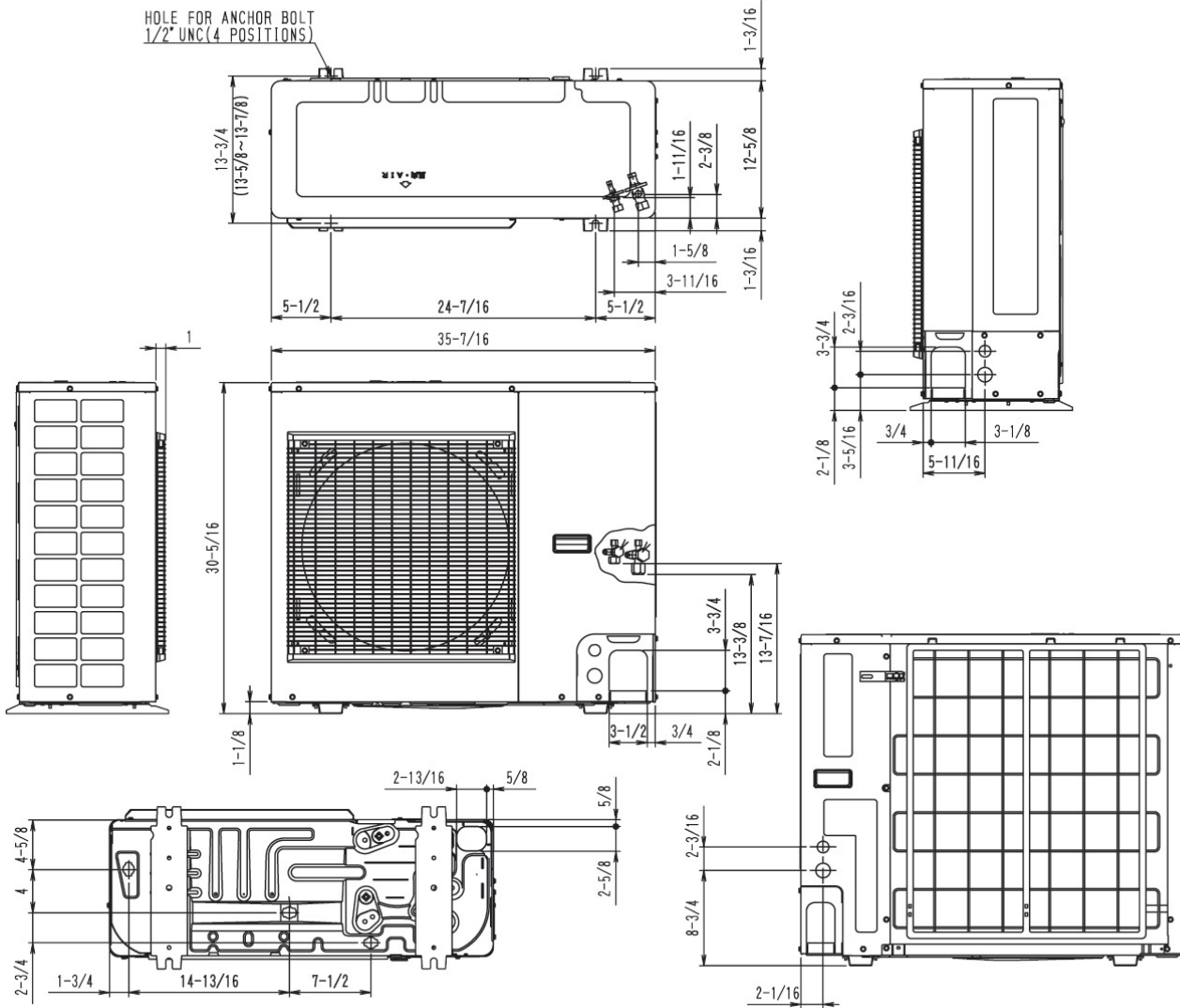


Project Name: \_\_\_\_\_  
 Location: \_\_\_\_\_  
 Engineer: \_\_\_\_\_  
 Submitted to: \_\_\_\_\_  
 Submitted by: \_\_\_\_\_  
 Reference: \_\_\_\_\_

Approval: \_\_\_\_\_  
 Date: \_\_\_\_\_  
 Construction: \_\_\_\_\_  
 Unit #: \_\_\_\_\_  
 Drawing #: \_\_\_\_\_

**Dimensional Drawing - Condensing Unit**

RZQ18PVJU9



Project Name: \_\_\_\_\_  
Location: \_\_\_\_\_  
Engineer: \_\_\_\_\_  
Submitted to: \_\_\_\_\_  
Submitted by: \_\_\_\_\_  
Reference: \_\_\_\_\_

Approval: \_\_\_\_\_  
Date: \_\_\_\_\_  
Construction: \_\_\_\_\_  
Unit #: \_\_\_\_\_  
Drawing #: \_\_\_\_\_

**FHQ18PVJU**



**RZQ18PVJU9**



**FHQ18PVJU**

Std U.S. Warranty: 7yrs Compressor, 5yrs Parts

**RZQ18PVJU9**

Std U.S. Warranty: 7yrs Compressor, 5yrs Parts