



Submittal Data Sheet

2.0-Ton Roundflow Cassette Unit

FCQ24PAVJURZQ24PVJU9

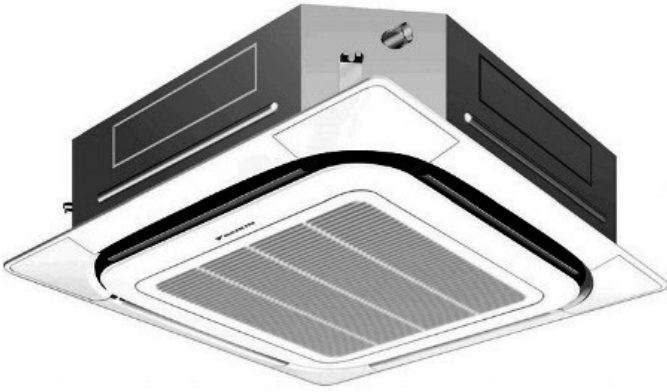
FEATURES

- 23 configurable airflow patterns ensure ideal air distribution for maximum comfort and savings
- 360° airflow reduces draft
- Lower air velocities provide better airflow distribution
- Condensate pump provided standard
- Outside air integration possible
- 10 year limited parts and compressor warranty

BENEFITS

- Optional wired controller
- Maximum piping length up to 164 ft. allows flexible placement of indoor unit
- Maximum piping height separation up to 98 ft.
- Low ambient cooling operation down to 0°F (with optional wind baffle(s))

INDOOR UNIT



OUTDOOR UNIT





Submittal Data Sheet

2.0-Ton Roundflow Cassette Unit

FCQ24PAVJURZQ24PVJU9

SYSTEM PERFORMANCE

| | | | |
|------------------------------------|------------|----------------------------------|---|
| Indoor Unit Model No. | FCQ24PAVJU | Indoor Unit Name: | FCQ24PAVJU |
| Outdoor Unit Model No. | RZQ24PVJU9 | Outdoor Unit Name: | 2.0-Ton SkyAir Heat Pump |
| Rated Cooling Capacity (Btu/hr): | 24,000 | Rated Cooling Conditions: | Indoor (°F DB/WB): 80 / 67 Ambient (°F DB/WB): 95 / 75 |
| Sensible Capacity (Btu/hr): | 18,900 | Rated Piping Length(ft): | |
| Max/Min Cooling Capacity (Btu/hr): | / | Rated Height Difference (ft): | 98.00 |
| Cooling Input Power (kW): | 1.820 | Rated Heating Conditions: | Indoor (°F DB/WB): 70 / 70 Ambient (°F DB/WB): 47 / 43 |
| SEER (Non-Ducted/Ducted): | 16.80 / | HSPF (Non-Ducted/Ducted): | 9.7 / |
| EER (Non-Ducted/Ducted): | 12.00 / | Heating COP (Non-Ducted/Ducted): | 2.2 / |
| Rated Heating Capacity (Btu/hr): | 27,000 | | |
| Heating Input Power (kW): | 1.82 | | |

SYSTEM DETAILS

| | | | |
|--|--------|-----------------------------------|----------|
| Refrigerant Type: | R-410A | Cooling Operation Range (°F DB): | 23 - 115 |
| Holding Refrigerant Charge (lbs): | 5.1 | Heating Operation Range (°F WB): | 0 - 77 |
| Additional Charge (lb/ft): | 0.04 | Max. Pipe Length (Vertical) (ft): | |
| Pre-charge Piping (Length) (ft): | | Cooling Range w/Baffle (°F DB): | 0 - 115 |
| Max. Pipe Length (Total) (ft): | 164 | Heating Range w/Baffle (°F WB): | 0 - 77 |
| Max Height Separation (Ind to Ind ft): | 98 | | |

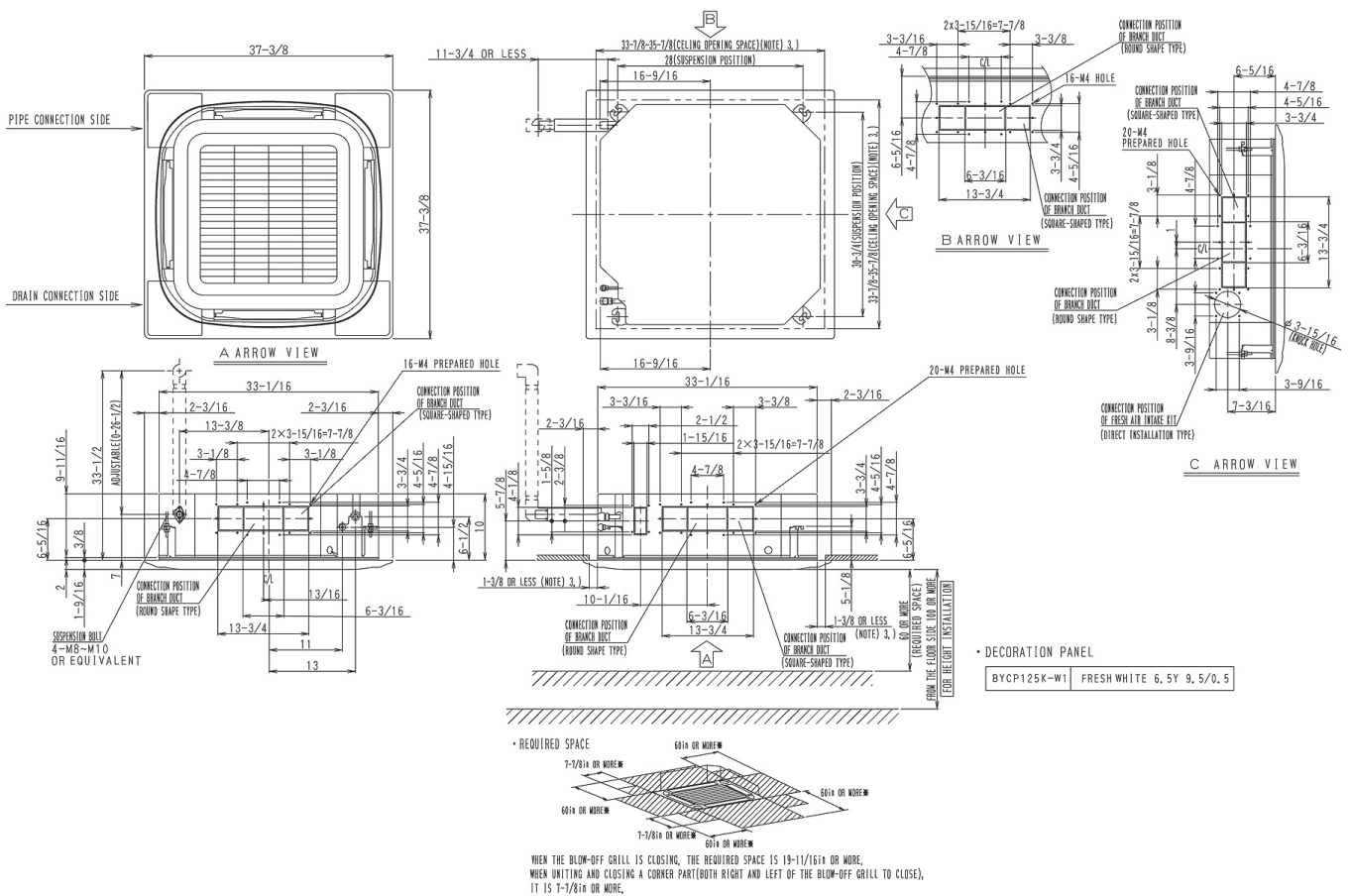
Submittal Data Sheet
2.0-Ton Roundflow Cassette Unit
FCQ24PAVJURZQ24PVJU9

INDOOR UNIT DETAILS

| | | | |
|---------------------------------------|-----------------------------|--|-------------|
| Power Supply (V/Hz/Ph): | 208-230 / 60 / 1 | Airflow Rate (H/M/L) (CFM): | 780/620/470 |
| Power Supply Connections: | L1, L2, Ground | Moisture Removal (Gal/hr): | |
| Min. Circuit Amps MCA (A): | 0.50 | Gas Pipe Connection (inch): | 5/8 |
| Max Overcurrent Protection (MOP) (A): | | Liquid Pipe Connection (inch): | 3/8 |
| Dimensions (HxWxD) (in): | 9-11/16 x 33-1/16 x 33-1/16 | Condensate Connection (inch): | 1 |
| Panel (HxWxD) (in): | 2 x 37-3/8 x 37-3/8 | Sound Pressure (H/M) (dBA): | 36/32 |
| Net Weight (lb): | 49 | Sound Power Level (dBA): | |
| Panel Weight (lb): | 61 | Ext. Static Pressure (Rated/Max) (inWg): | 0.00 / 0.00 |

DIMENSIONAL DRAWING - INDOOR UNIT

FCQ24_30PAVJU
Unit (in.)



• DECORATION PANEL
 BYCP125K-W1 FRESH WHITE 6.5Y 9.5/0.5



Submittal Data Sheet

2.0-Ton Roundflow Cassette Unit
FCQ24PAVJURZQ24PVJU9

OUTDOOR UNIT DETAILS

| | | | |
|---------------------------------------|----------------------------|--------------------------------|----------|
| Power Supply (V/Hz/Ph): | 208-230 / 60 / 1 | Compressor Type: | Inverter |
| Power Supply Connections: | L1, L2, Ground | Capacity Control Range (%): | 30 - 100 |
| Min. Circuit Amps MCA (A): | 16.50 | Airflow Rate (H) (CFM): | 1,835 |
| Max Overcurrent Protection (MOP) (A): | 20.00 | Gas Pipe Connection (inch): | 5/8 |
| Max Starting Current MSC(A): | | Liquid Pipe Connection (inch): | 3/8 |
| Rated Load Amps RLA(A): | 10.3 | Sound Pressure (H) (dBA): | 49 |
| Dimensions (HxWxD) (in): | 30-5/16 x 35-7/16 x 12-5/8 | Sound Power Level (dBA): | |
| Net Weight (lb): | 150 | | |

DIMENSIONAL DRAWING - OUTDOOR UNIT

