



Submittal Data Sheet

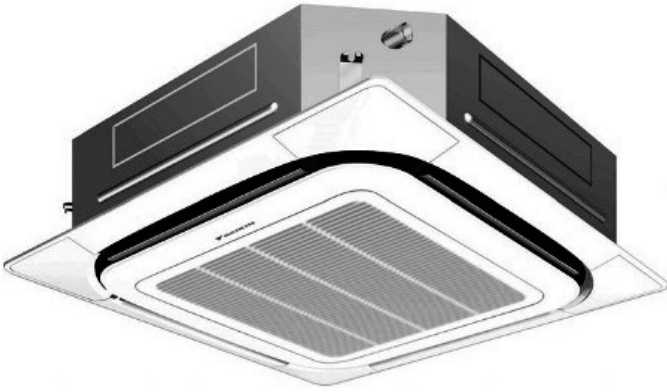
1.5-Ton Roundflow Cassette Unit

FCQ18PAVJURZQ18PVJU9

FEATURES

- 23 configurable airflow patterns ensure ideal air distribution for maximum comfort and savings
- 360° airflow reduces draft
- Lower air velocities provide better airflow distribution
- Condensate pump provided standard
- Outside air integration possible
- 10 year limited parts and compressor warranty

INDOOR UNIT



BENEFITS

- Optional wired controller
- Maximum piping length up to 164 ft. allows flexible placement of indoor unit
- Maximum piping height separation up to 98 ft.
- Low ambient cooling operation down to 0°F (with optional wind baffle(s))

OUTDOOR UNIT





Submittal Data Sheet

1.5-Ton Roundflow Cassette Unit

FCQ18PAVJURZQ18PVJU9

SYSTEM PERFORMANCE

Indoor Unit Model No.	FCQ18PAVJU	Indoor Unit Name:	FCQ18PAVJU
Outdoor Unit Model No.	RZQ18PVJU9	Outdoor Unit Name:	1.5-Ton SkyAir Heat Pump
Rated Cooling Capacity (Btu/hr):	18,000	Rated Cooling Conditions:	Indoor (°F DB/WB): 80 / 67 Ambient (°F DB/WB): 95 / 75
Sensible Capacity (Btu/hr):	14,100	Rated Piping Length(ft):	
Max/Min Cooling Capacity (Btu/hr):	/	Rated Height Difference (ft):	98.00
Cooling Input Power (kW):	1.820	Rated Heating Conditions:	Indoor (°F DB/WB): 70 / 70 Ambient (°F DB/WB): 47 / 43
SEER (Non-Ducted/Ducted):	17.20 /	HSPF (Non-Ducted/Ducted):	10.1 /
EER (Non-Ducted/Ducted):	13.90 /	Heating COP (Non-Ducted/Ducted):	3.0 /
Rated Heating Capacity (Btu/hr):	20,000		
Heating Input Power (kW):	1.82		

SYSTEM DETAILS

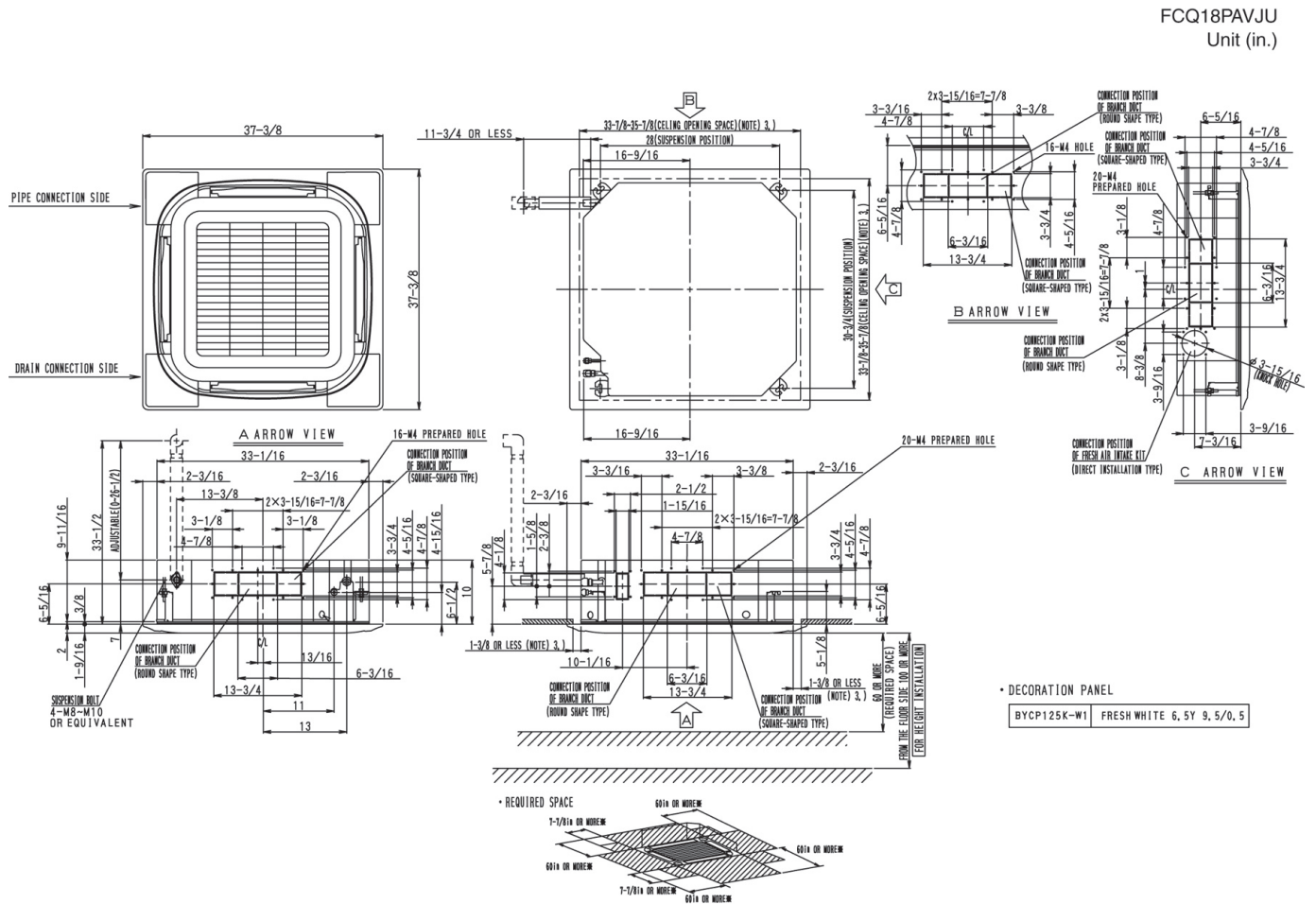
Refrigerant Type:	R-410A	Cooling Operation Range (°F DB):	23 - 115
Holding Refrigerant Charge (lbs):	5.1	Heating Operation Range (°F WB):	0 - 77
Additional Charge (lb/ft):	0.04	Max. Pipe Length (Vertical) (ft):	
Pre-charge Piping (Length) (ft):		Cooling Range w/Baffle (°F DB):	0 - 115
Max. Pipe Length (Total) (ft):	164	Heating Range w/Baffle (°F WB):	0 - 77
Max Height Separation (Ind to Ind ft):	98		

Submittal Data Sheet
1.5-Ton Roundflow Cassette Unit
FCQ18PAVJURZQ18PVJU9

INDOOR UNIT DETAILS

Power Supply (V/Hz/Ph):	208-230 / 60 / 1	Airflow Rate (H/M/L) (CFM):	560/470/390
Power Supply Connections:	L1, L2, Ground	Moisture Removal (Gal/hr):	
Min. Circuit Amps MCA (A):	0.40	Gas Pipe Connection (inch):	1/2
Max Overcurrent Protection (MOP) (A):	15.00	Liquid Pipe Connection (inch):	1/4
Dimensions (HxWxD) (in):	9-11/16 x 33-1/16 x 33-1/16	Condensate Connection (inch):	1
Panel (HxWxD) (in):	2 x 37-3/8 x 37-3/8	Sound Pressure (H/M) (dBA):	32/30
Net Weight (lb):	43	Sound Power Level (dBA):	
Panel Weight (lb):	55	Ext. Static Pressure (Rated/Max) (inWg):	0.00 / 0.00

DIMENSIONAL DRAWING - INDOOR UNIT



Daikin North America LLC, 5151 San Felipe, Suite 500, Houston, TX, 77056

Daikin City Generated Submittal Data

www.daikinac.com www.daikincomfort.com

(Daikin's products are subject to continuous improvements. Daikin reserves the right to modify product design, specifications and information in this data sheet without notice and without incurring any obligations)

