

Inverter Driven Heat Pump

48,000 BTU Multi Position AHU

Job Name _____
 Location _____
 Engineer _____
 Submitted To _____
 Submitted By _____
 Reference _____

Date _____
 Approval _____
 Construction _____
 Unit No _____
 Drawing No _____

PRODUCT FEATURES

- Up to 1.0" WC
- 2-Wire Wired Remote Controls
- Aluminum Indoor Unit Coil
- True four position : Up,Down,Right/Left
- Long Lineset Lengths (up to 246')
- Low Air Leakage Rate (2% or less)
- Built in Base Pan Heater
- Heating operation rated down to -15°F outdoor temperature
- Integral Electric Heat Kit - Optional
- Airzone Zoning Kit - Optional



MODEL NUMBERS			
Indoor Unit	AMUG48LMAS		
Outdoor Unit	AOUH48LMAH1		
System	48LMAH1M		
EFFICIENCIES			
SEER	16.3		
SEER 2	16.6		
EER	9.1		
EER 2	8.8		
HSPF	10.2		
HSPF 2	10		
COP	kW/kW	3.54	
COP	Btu/hW	12.1	
COP2	kW/kW	3.62	
COP2	Btu/hW	12.3	
OUTDOOR TEMPERATURE OPERATION RANGE			
Cooling	*F(*C)	-5 to 115 (-21 to 46)	
Heating		-15 to 75 (-26 to 24)	
CAPACITIES			
Cooling	Rated	Btu/h	45500
	Min.-Max.		13,000-50,000
Heating	Rated	Btu/h	51000
	Min.-Max.		15,000-55,000
LINESET REQUIREMENTS			
Connection Method		Flare	
Liquid	in (mm)	Ø 3/8 (Ø 9.52)	
Gas		Ø 5/8 (Ø 15.88)	
Pre-charge length	ft (m)	98 (30)	
Minimum Length		16 (5)	
Max. length		246 (75)	
Max. height difference		98 (30)	
INDOOR DIMENSIONS & WEIGHT			
Net (H x W x D)	in (mm)	57 x 21 x 21-11/16	
Gross (H x W x D)		57-1/8 x 23 x 26-1/2	
Net Weight	lb (kg)	132 (60.0)	
Gross Weight		146 (66.0)	
OUTDOOR DIMENSIONS & WEIGHT			
Net (H x W x D)	in (mm)	52-1/2 x 38-3/16 x 14-9/16	
Gross (H x W x D)		59-5/16 x 41-7/8 x 18-13/16 (1,506 x 1,064 x 478)	
Net Weight	lb (kg)	236 (107)	
Gross Weight		260 (118)	

Warranty Information



7 Year Compressor, 5 Year Parts out-of-the-box Warranty

10 Year Compressor, 10 Year Parts Warranty when registered within 60 days of installation in a residence

12 Year Compressor, 12 Year Parts Warranty when registered within 60 days of installation in a residence, and installed by a Fujitsu Elite contractor

ACCESSORIES

UTY-RNRUZ*	Wired Remote Controller
UTY-RSRY	Simple Remote Controller
UTY-RHRY	Simple Remote Controller
UTY-LBTUM	IR Receiver Kit with Wireless Remote Controller
UTY-XSZX	Remote Sensor Unit
UTY-XWZXZG	External Connect Kit
UTY-XCSX	External Input and Output PCB
UTY-XWZXZJ	Wire Kit
UTY-VTGX	Network Converter
UTY-TTRXZ1	Thermostat Converter
UTY-VMSX	Modbus Converter

Due to continuous product improvements, specifications are subject to change without notice. Please log in to the Fujitsu Portal for the most up-to-date documentation <https://connect.fujitsugeneral.com>

Effective Date: 12/13/2022

Inverter Driven Heat Pump

48,000 BTU Multi Position AHU

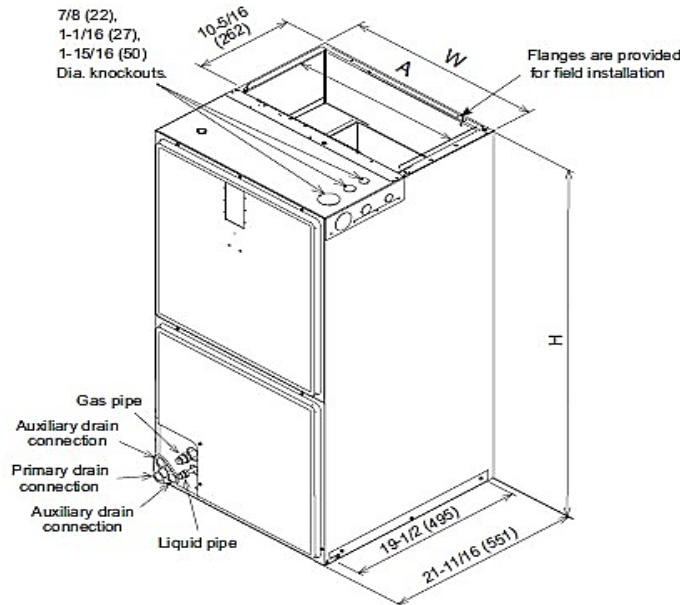
FAN DATA				
Indoor Unit Airflow rate	Cooling	HIGH	CFM (m3/h)	1,640 (2,786)
		MED		1,020 (1,733)
		LOW		820 (1,393)
		QUIET		590 (1,002)
	Heating	HIGH		1,640 (2,786)
		MED		1,020 (1,733)
		LOW		820 (1,393)
		QUIET		590 (1,002)
Outdoor Unit Airflow rate	Cooling		4,297 (7,300)	
	Heating		3,649 (6,200)	
SOUND PRESSURE				
Indoor Unit	Cooling	HIGH	dB (A)	48
		MED		36
		LOW		31
		QUIET		25
	Heating	HIGH		47
		MED		37
		LOW		32
		QUIET		29
Outdoor Unit	Cooling		54	
	Heating		54	
REFRIGERANT				
Type				R410A
Charge	lb oz			10 lb 9 oz
	g			4800
Oil Type				POE (RB68)

ELECTRICAL SPECIFICATIONS					
Voltage/Frequency/Phase		208/230 V ~ 60 Hz			
Available Voltage Range		187–253 V			
Current	Cooling	Rated	A	22.9	
	Heating	Rated		18.8	
Maximum Operating Current	Cooling			28.9	
	Heating			35.9	
Starting current				22.2	
MCA				42.4	
Maximum Circuit Breaker				45	
Input Power	Cooling	Rated		kW	5.17
		Min.–Max.	0.85–6.00		
	Heating	Rated	4.22		
Min.–Max.		0.90–5.41			
Power Factor	Cooling				98.2
	Heating				97.6
OTHER					
Moisture Removal		pints/h (L/h)	9.3 (4.4)		
Energy Star		No			
Drain hose	Material		LDPE		
	Tip diameter	in (mm)	Ø1/2 (13.0) [I.D.], Ø5/8 to Ø11/16 (16.0 to 16.7) [O.D.]		
Operation Range	Cooling	°F (°C)	64 to 90 (18 to 32)		
	Heating	%RH	–		
Static pressure range		inWG (Pa)	0.08 to 1 (20 to 250)		

DIMENSIONS:

Units: In. (mm)

Indoor Unit:



Model	A (Supply duct)	W (Unit width)	H (Unit height)
AMUG48LMAS	19-1/2 (495)	21 (533)	57 (1,448)

Return Opening Dimensions	
Width	Depth
19 3/8	19 3/4

