

Inverter Driven Heat Pump

30,000 BTU Multi Position AHU

Job Name _____
 Location _____
 Engineer _____
 Submitted To _____
 Submitted By _____
 Reference _____

Date _____
 Approval _____
 Construction _____
 Unit No _____
 Drawing No _____

PRODUCT FEATURES

- Up to 1.0" WC
- 2-Wire Wired Remote Controls
- Aluminum Indoor Unit Coil
- True four position : Up,Down,Right/Left
- Long Lineset Lengths (up to 246')
- Low Air Leakage Rate (2% or less)
- Built in Base Pan Heater
- Heating operation rated down to -15°F outdoor temperature
- Integral Electric Heat Kit - Optional
- Airzone Zoning Kit - Optional



| MODEL NUMBERS | | | |
|-------------------------------------|-------------|---|--------------|
| Indoor Unit | AMUG30LMAS | | |
| Outdoor Unit | AOUH30LUAH1 | | |
| System | 30LUAH1M | | |
| EFFICIENCIES | | | |
| SEER | 19.1 | | |
| SEER 2 | 18.8 | | |
| EER | 12 | | |
| EER 2 | 11.7 | | |
| HSPF | 10.5 | | |
| HSPF 2 | 9.7 | | |
| COP | kW/kW | 3.64 | |
| COP | Btu/hW | 12.4 | |
| COP2 | kW/kW | 3.46 | |
| COP2 | Btu/hW | 11.8 | |
| OUTDOOR TEMPERATURE OPERATION RANGE | | | |
| Cooling | *F(*C) | -5 to 115 (-21 to 46) | |
| Heating | | -15 to 75 (-26 to 24) | |
| CAPACITIES | | | |
| Cooling | Rated | Btu/h | 28600 |
| | Min.-Max. | | 9,600-35,000 |
| Heating | Rated | Btu/h | 32000 |
| | Min.-Max. | | 9,200-39,000 |
| LINESET REQUIREMENTS | | | |
| Connection Method | | Flare | |
| Liquid | in (mm) | Ø 3/8 (Ø 9.52) | |
| Gas | | Ø 5/8 (Ø 15.88) | |
| Pre-charge length | ft (m) | 98 (30) | |
| Minimum Length | | 16 (5) | |
| Max. length | | 246 (75) | |
| Max. height difference | | 98 (30) | |
| INDOOR DIMENSIONS & WEIGHT | | | |
| Net (H x W x D) | in (mm) | 42-1/2 x 21 x 21-11/16 | |
| Gross (H x W x D) | | 42-3/4 x 24 x 25-5/16 | |
| Net Weight | lb (kg) | 104 (47.0) | |
| Gross Weight | | 116 (52.5) | |
| OUTDOOR DIMENSIONS & WEIGHT | | | |
| Net (H x W x D) | in (mm) | 39-5/16 x 38-3/16 x 14-9/16 (998 x 970 x 370) | |
| Gross (H x W x D) | | 45-3/4 x 41-7/8 x 18-13/16 | |
| Net Weight | lb (kg) | 187 (85) | |
| Gross Weight | | 209 (95) | |

Warranty Information



7 Year Compressor, 5 Year Parts out-of-the-box Warranty

10 Year Compressor, 10 Year Parts Warranty when registered within 60 days of installation in a residence

12 Year Compressor, 12 Year Parts Warranty when registered within 60 days of installation in a residence, and installed by a Fujitsu Elite contractor

ACCESSORIES

| | |
|------------|---|
| UTY-RNRUZ* | Wired Remote Controller |
| UTY-RSRY | Simple Remote Controller |
| UTY-RHRY | Simple Remote Controller |
| UTY-LBTUM | IR Receiver Kit with Wireless Remote Controller |
| UTY-XSZX | Remote Sensor Unit |
| UTY-XWZXZG | External Connect Kit |
| UTY-XCSX | External Input and Output PCB |
| UTY-XWZXZJ | Wire Kit |
| UTY-VTGX | Network Converter |
| UTY-TTRXZ1 | Thermostat Converter |
| UTY-VMSX | Modbus Converter |

Due to continuous product improvements, specifications are subject to change without notice. Please log in to the Fujitsu Portal for the most up-to-date documentation <https://connect.fujitsugeneral.com>

Effective Date: 12/13/2022

Inverter Driven Heat Pump

30,000 BTU Multi Position AHU

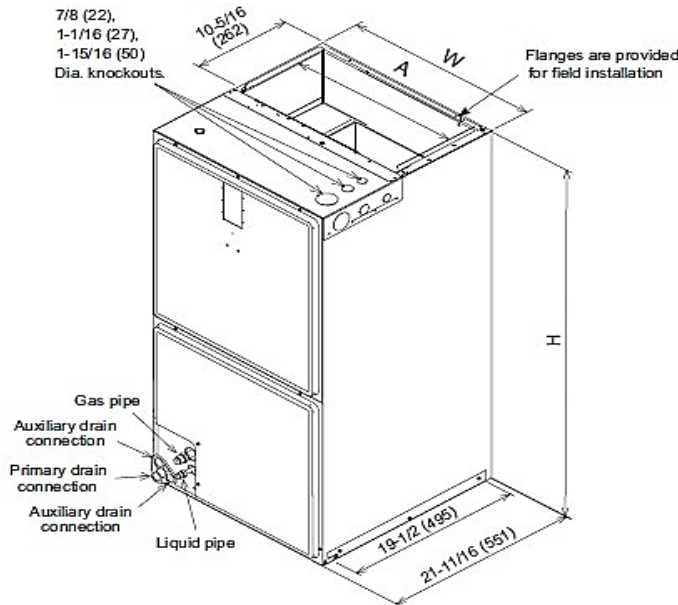
| FAN DATA | | | |
|---------------------------|------------|---------------|-------------|
| Indoor Unit Airflow rate | Cooling | HIGH | 870 (1,478) |
| | | MED | 730 (1,240) |
| | | LOW | 590 (1,002) |
| | | QUIET | 310 (527) |
| | Heating | HIGH | 870 (1,478) |
| | | MED | 730 (1,240) |
| | | LOW | 590 (1,002) |
| | | QUIET | 310 (527) |
| Outdoor Unit Airflow rate | Cooling | 2,590 (4,400) | |
| | Heating | 2,590 (4,400) | |
| SOUND PRESSURE | | | |
| Indoor Unit | Cooling | HIGH | 42 |
| | | MED | 37 |
| | | LOW | 33 |
| | | QUIET | 28 |
| | Heating | HIGH | 39 |
| | | MED | 36 |
| | | LOW | 32 |
| | | QUIET | 25 |
| Outdoor Unit | Cooling | 52 | |
| | Heating | 53 | |
| REFRIGERANT | | | |
| Type | | | R410A |
| Charge | lb oz | 7 lb 8 oz | |
| | g | 3400 | |
| Oil Type | POE (RB68) | | |

| ELECTRICAL SPECIFICATIONS | | | |
|---------------------------|---------------|-------------------|--|
| Voltage/Frequency/Phase | | 208/230 V ~ 60 Hz | |
| Available Voltage Range | | 187–253 V | |
| Current | Cooling | Rated | 11 |
| | Heating | Rated | 12.1 |
| Maximum Operating Current | Cooling | A | 19.8 |
| | Heating | | 26.8 |
| Starting current | | 11.4 | |
| MCA | | 31.9 | |
| Maximum Circuit Breaker | | 35 | |
| Input Power | Cooling | Rated | kW |
| | | Min.–Max. | |
| | Heating | Rated | |
| Power Factor | Cooling | % | 96.4 |
| | Heating | | 97.4 |
| OTHER | | | |
| Moisture Removal | pints/h (L/h) | 6.8 (3.2) | |
| Energy Star | | No | |
| Drain hose | Material | LDPE | |
| | Tip diameter | in (mm) | Ø1/2 (13.0) [I.D.], Ø5/8 to Ø11/16 (16.0 to 16.7) [O.D.] |
| Operation Range | Cooling | °F (°C) | 64 to 90 (18 to 32) |
| | Heating | %RH | 80 or less |
| Static pressure range | | inWG (Pa) | 0.08 to 1 (20 to 250) |

DIMENSIONS:

Units: In. (mm)

Indoor Unit:



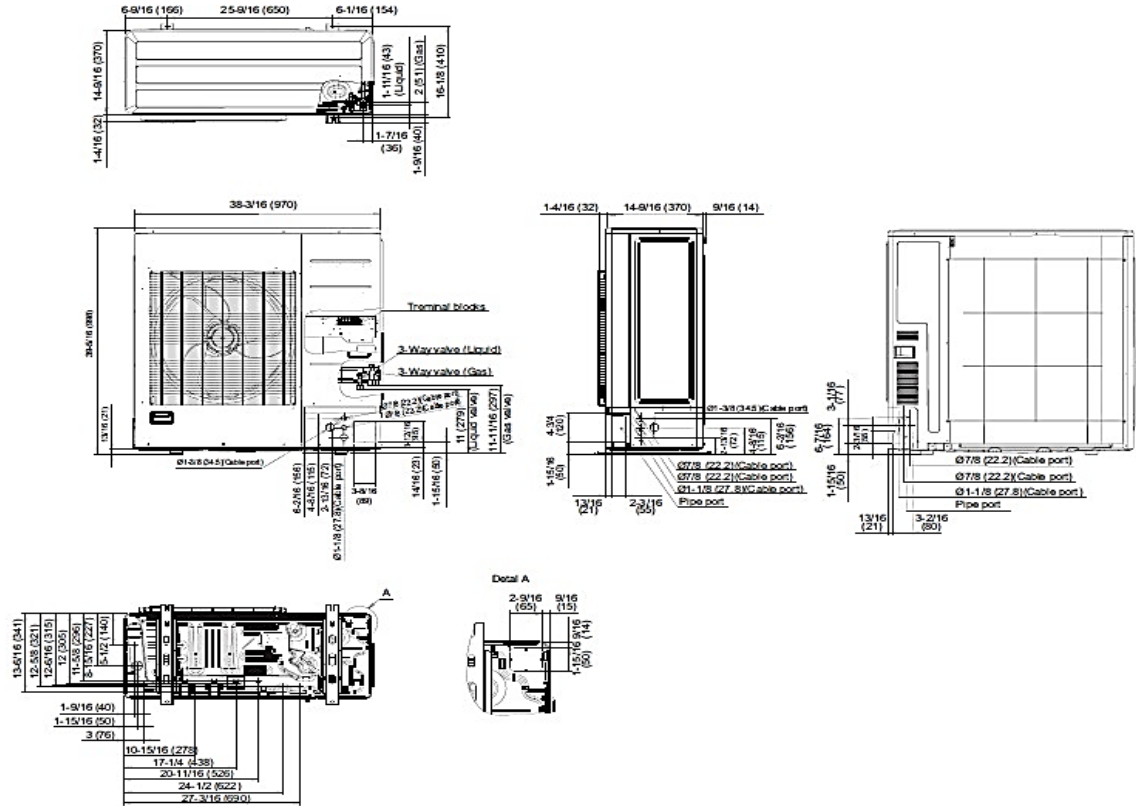
| Model | A (Supply duct) | W (Unit width) | H (Unit height) |
|------------|-----------------|----------------|-----------------|
| AMUG30LMAS | 19-1/2 (495) | 21 (533) | 42-1/2 (1,080) |

| Return Opening Dimensions | |
|---------------------------|--------|
| Width | Depth |
| 19 3/8 | 19 3/4 |

DIMENSIONS

Units: In. (mm)

Outdoor Unit



The Fujitsu logo is a worldwide trademark of Fujitsu General Limited. The Airstage logo and name is a worldwide trademark of Fujitsu General Limited and is a registered trademark in Japan, the USA and other countries or areas. Copyright 2022 Fujitsu General America, Inc. Fujitsu's products are subject to continuous improvements. Fujitsu reserves the right to modify product design, specifications and information in this brochure without notice and without incurring any obligations.

Note: Specifications are based on the following conditions:
 Cooling: Indoor temperature of 80°F (26.7°C) DB/67°F (19.4°C) WB, and outdoor temperature of 95°F (35°C) DB/75°F (23.9°C) WB. Heating: Indoor temperature of 70°F (21.1°C) DB/60°F (15.6°C) WB, and outdoor temperature of 47°F (8.3°C) DB/43°F (6.1°C) WB. Pipe length: 25ft. (7.5m), Height difference: 0ft. (0m) (Outdoor unit – indoor unit).