

Inverter Driven Heat Pump

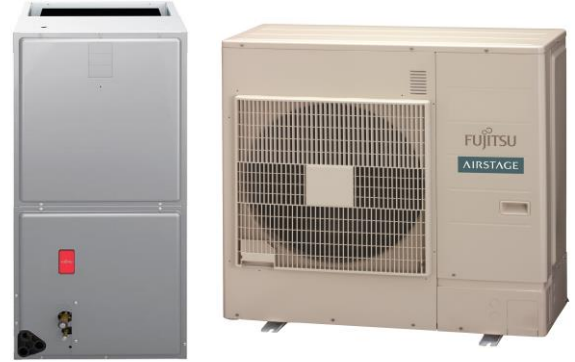
48,000 BTU Multi Position AHU

Job Name _____
 Location _____
 Engineer _____
 Submitted To _____
 Submitted By _____
 Reference _____

Date _____
 Approval _____
 Construction _____
 Unit No _____
 Drawing No _____

PRODUCT FEATURES

- Up to 1.0" WC
- 2-Wire Wired Remote Controls
- All Aluminum Coil
- Heating operation rated down to -5 °F outdoor temperature
- Long Lineset Lengths (up to 230')
- Integral Electric Heat Kit (Optional)
- Low Air Leakage Rate (2% or less)



MODEL NUMBERS			
Indoor Unit	AMUG48LMAS		
Outdoor Unit	AOUG48LMAS1		
System	48LMAS1		
EFFICIENCIES			
SEER	17		
SEER 2	16.2		
EER	8.2		
EER 2	8.2		
HSPF	10.2		
HSPF 2	9.2		
COP	kW/kW	2.9	
COP	Btu/hW	9.9	
COP2	kW/kW	2.86	
COP2	Btu/hW	9.7	
OUTDOOR TEMPERATURE OPERATION RANGE			
Cooling	°F(°C)		14 to 115 (-10 to 46)
Heating	°F(°C)		-4 to 75 (-20 to 24)
CAPACITIES			
Cooling	Rated	Btu/h	45600
	Min.-Max.		13,000-48,000
Heating	Rated	Btu/h	53000
	Min.-Max.		11,000-54,000
LINESET REQUIREMENTS			
Connection Method		Flare	
Liquid	in (mm)	Ø3/8 (9.52)	
Gas	in (mm)	Ø5/8 (15.88)	
Pre-charge length	ft (m)	98 (30)	
Minimum Length		16 (5)	
Max. length		230 (70)	
Max. height difference		98 (30)	
INDOOR DIMENSIONS & WEIGHT			
Net (H x W x D)	in (mm)	57 x 21 x 21- 11/16	
Gross (H x W x D)	in (mm)	57- 1/8 x 23 x 26- 1/2	
Net Weight	lb (kg)	132 (60)	
Gross Weight	lb (kg)	146 (66)	
OUTDOOR DIMENSIONS & WEIGHT			
Net (H x W x D)	in (mm)	39-5/16 x 38-3/16 x 14-9/16	
Gross (H x W x D)	in (mm)	45-12/16 x 41-14/16 x 18-13/16 (1,162 x 1,064 x 478)	
Net Weight	lb (kg)	198 (90)	
Gross Weight	lb (kg)	220 (100)	

Warranty Information



7 Year Compressor, 5 Year Parts out-of-the-box Warranty

10 Year Compressor, 10 Year Parts Warranty when registered within 60 days of installation in a residence

12 Year Compressor, 12 Year Parts Warranty when registered within 60 days of installation in a residence, and installed by a Fujitsu Elite contractor

ACCESSORIES

UTY-RNRUZ*	Wired Remote Controller
UTY-RSRY	Simple Remote Controller
UTY-RHRY	Simple Remote Controller
UTY-LBTUM	IR Receiver Kit with Wireless Remote Controller
UTY-XSZX	Remote Sensor Unit
UTY-XWZXZG	External Connect Kit
UTY-XCSX	External Input and Output PCB
UTY-XWZXZJ	Wire Kit
UTY-VTGX	Network Converter
UTY-TTRXZ1	Thermostat Converter

Due to continuous product improvements, specifications are subject to change without notice. Please log in to the Fujitsu Portal for the most up-to-date documentation <https://connect.fujitsugeneral.com>

Effective Date: 12/13/2022

Inverter Driven Heat Pump

48,000 BTU Multi Position AHU

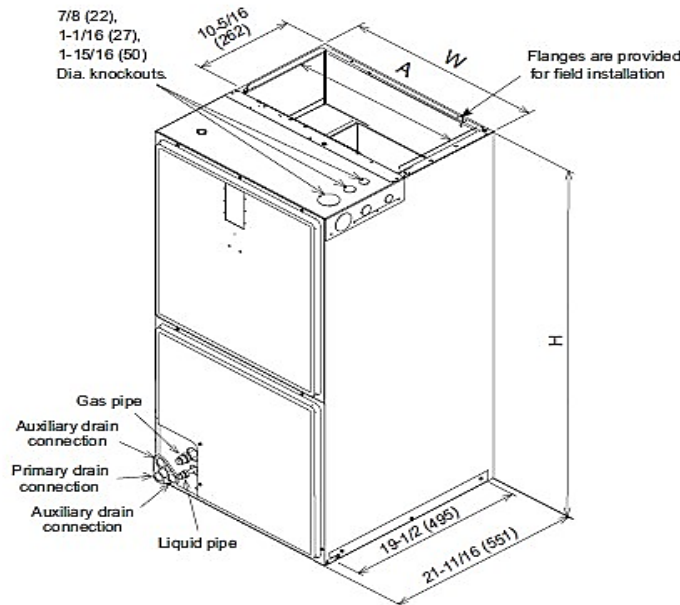
FAN DATA			
Indoor Unit Airflow rate	Cooling	HIGH	1,640 (2,786)
		MED	1,020 (1,733)
		LOW	820 (1,393)
		QUIET	590 (1,002)
	Heating	HIGH	1,640 (2,786)
		MED	1,020 (1,733)
		LOW	820 (1,393)
		QUIET	590 (1,002)
Outdoor Unit Airflow rate	Cooling	2,590 (4,400)	
	Heating	2,590 (4,400)	
SOUND PRESSURE			
Indoor Unit	Cooling	HIGH	48
		MED	36
		LOW	31
		QUIET	25
	Heating	HIGH	47
		MED	37
		LOW	32
		QUIET	29
Outdoor Unit	Cooling	54	
	Heating	55	
REFRIGERANT			
Type			R410A
Charge	lb oz	9 lb 8 oz	
	g	4300	
Oil Type	POE (RB68)		

ELECTRICAL SPECIFICATIONS			
Voltage/Frequency/Phase		208/230 V ~ 60 Hz	
Available Voltage Range		187–253 V	
Current	Cooling	Rated	24.4
	Heating	Rated	23.8
Maximum Operating Current	Cooling	A	32.4
	Heating		32.4
Starting current		20.1	
MCA		39.9	
Maximum Circuit Breaker		40	
Input Power	Cooling	Rated	kW
		Min.–Max.	
	Heating	Rated	
Power Factor	Cooling	%	99.1
	Heating		99.2
OTHER			
Moisture Removal	pints/h (L/h)	4.6 (2.2)	
Energy Star	No		
Drain hose	Material	LDPE	
	Tip diameter	in (mm)	Ø1/2 (13.0) [I.D.], Ø5/8 to Ø11/16 (16.0 to 16.7) [O.D.]
Operation Range	Cooling	°F (°C)	64 to 90 (18 to 32)
	Heating	%RH	–
Static pressure range	Cooling	°F (°C)	60 to 86 (16 to 30)
	Heating	inWG (Pa)	0.08 to 1 (20 to 250)

DIMENSIONS:

Units: In. (mm)

Indoor Unit:



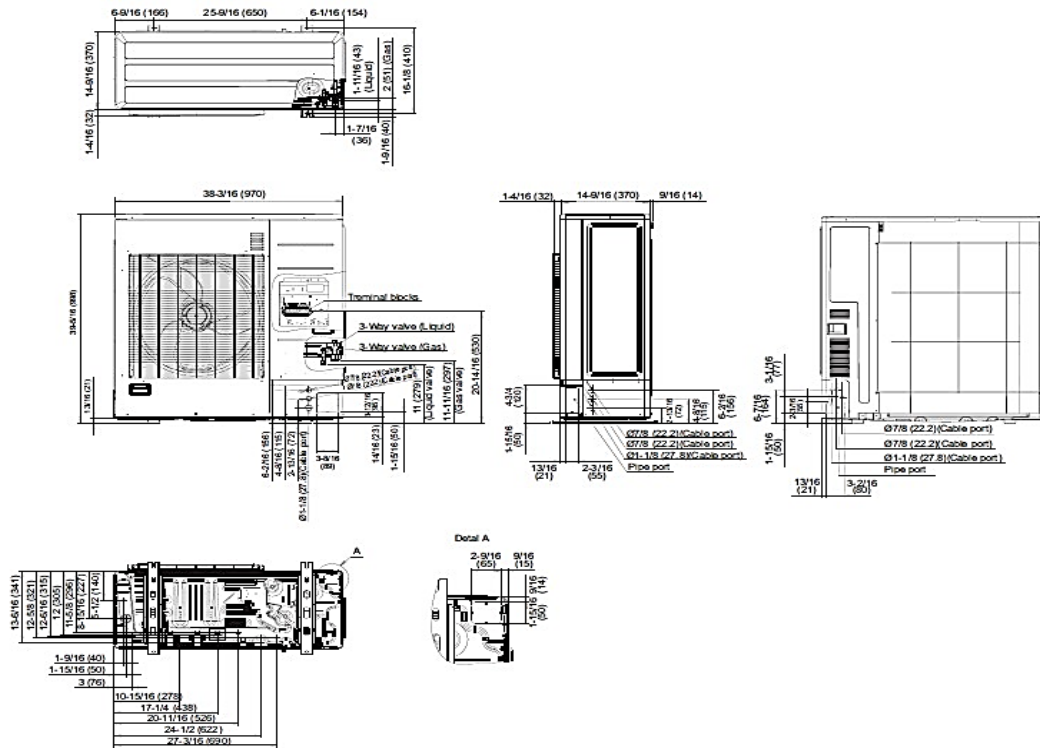
Model	A (Supply duct)	W (Unit width)	H (Unit height)
AMUG48LMAS	19-1/2 (495)	21 (533)	57 (1,448)

Return Opening Dimensions	
Width	Depth
19 3/8	19 3/4

DIMENSIONS

Units: In. (mm)

Outdoor Unit



The Fujitsu logo is a worldwide trademark of Fujitsu General Limited. The Airstage logo and name is a worldwide trademark of Fujitsu General Limited and is a registered trademark in Japan, the USA and other countries or areas. Copyright 2022 Fujitsu General America, Inc. Fujitsu's products are subject to continuous improvements. Fujitsu reserves the right to modify product design, specifications and information in this brochure without notice and without incurring any obligations.

Note: Specifications are based on the following conditions:
 Cooling: Indoor temperature of 80°F (26.7°C) DB/67°F (19.4°C) WB, and outdoor temperature of 95°F (35°C) DB/75°F (23.9°C) WB. Heating: Indoor temperature of 70°F (21.1°C) DB/60°F (15.6°C) WB, and outdoor temperature of 47°F (8.3°C) DB/43°F (6.1°C) WB. Pipe length: 25ft. (7.5m), Height difference: 0ft. (0m) (Outdoor unit – indoor unit).