

Inverter Driven Heat Pump

24,000 BTU Multi Position AHU

Job Name _____
 Location _____
 Engineer _____
 Submitted To _____
 Submitted By _____
 Reference _____

Date _____
 Approval _____
 Construction _____
 Unit No _____
 Drawing No _____

PRODUCT FEATURES

- Up to 1.0" WC
- 2-Wire Wired Remote Controls
- All Aluminum Coil
- Heating operation rated down to -5 °F outdoor temperature
- Long Lineset Lengths (up to 164')
- Integral Electric Heat Kit (Optional)
- Low Air Leakage Rate (2% or less)



MODEL NUMBERS			
Indoor Unit	AMUG24LMAS		
Outdoor Unit	AOU24RGLX		
System	24RGLXM		
EFFICIENCIES			
SEER	19		
SEER 2	17.6		
EER	12		
EER 2	11.7		
HSPF	10.7		
HSPF 2	9.2		
COP	kW/kW	3.19	
COP	Btu/hW	10.9	
COP2	kW/kW	3.2	
COP2	Btu/hW	10.9	
OUTDOOR TEMPERATURE OPERATION RANGE			
Cooling	*F(*C)	-4 to 115 (-20 to 46)	
Heating		-4 to 75 (-20 to 24)	
CAPACITIES			
Cooling	Rated	Btu/h	24000
	Min.-Max.		5,400-29,000
Heating	Rated	Btu/h	27000
	Min.-Max.		5,400-32,400
LINESET REQUIREMENTS			
Connection Method		Flare	
Liquid	in (mm)	Ø3/8 (9.52)	
Gas		Ø5/8 (15.88)	
Pre-charge length	ft (m)	66 (20)	
Minimum Length		16 (5)	
Max. length		164 (50)	
Max. height difference		98 (30)	
INDOOR DIMENSIONS & WEIGHT			
Net (H x W x D)	in (mm)	42- 1/2 x 21 x 21- 11/16 (1,080 x 533 x 551)	
Gross (H x W x D)		42- 3/4 x 24 x 25- 5/16 (1,086 x 610 x 643)	
Net Weight	lb (kg)	104 (47)	
Gross Weight		116 (52.5)	
OUTDOOR DIMENSIONS & WEIGHT			
Net (H x W x D)	in (mm)	32-11/16 x 35-7/16 x 13 (830 x 900 x 330)	
Gross (H x W x D)		39-3/8 x 41-5/16 x 17-1/2 (1,000 x 1,050 x 445)	
Net Weight	lb (kg)	134 (61)	
Gross Weight		152 (69)	

Warranty Information



7 Year Compressor, 5 Year Parts out-of-the-box Warranty



10 Year Compressor, 10 Year Parts Warranty when registered within 60 days of installation in a residence



12 Year Compressor, 12 Year Parts Warranty when registered within 60 days of installation in a residence, and installed by a Fujitsu Elite contractor

ACCESSORIES

UTY-RNRUZ*	Wired Remote Controller
UTY-RSRY	Simple Remote Controller
UTY-RHRY	Simple Remote Controller
UTY-LBTUM	IR Receiver Kit with Wireless Remote Controller
UTY-XSZX	Remote Sensor Unit
UTY-XWZXZG	External Connect Kit
UTY-XCSX	External Input and Output PCB
UTY-XWZXZJ	Wire Kit
UTY-VTGX	Network Converter
UTY-TTRXZ1	Thermostat Converter

Due to continuous product improvements, specifications are subject to change without notice. Please log in to the Fujitsu Portal for the most up-to-date documentation <https://connect.fujitsugeneral.com>

Effective Date: 12/21/2022

Inverter Driven Heat Pump

24,000 BTU Multi Position AHU

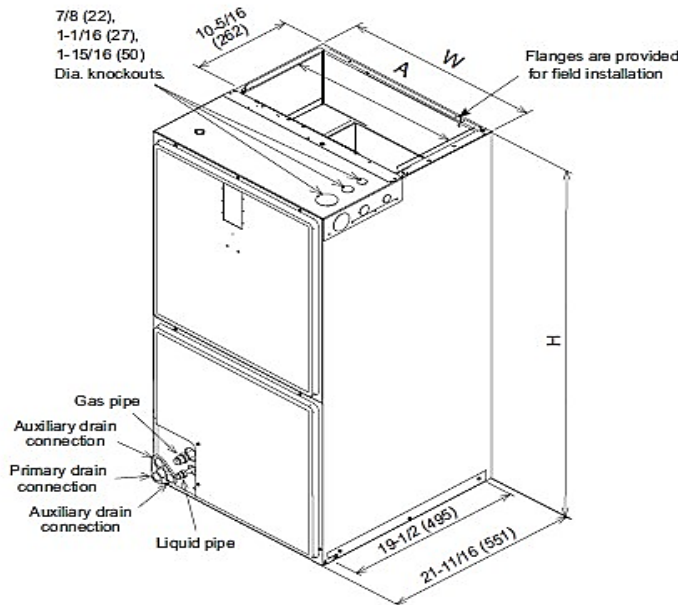
FAN DATA				
Indoor Unit Airflow rate	Cooling	HIGH	CFM (m3/h)	800 (1,359)
		MED		670 (1,138)
		LOW		590 (1,002)
		QUIET		310 (527)
	Heating	HIGH		800 (1,359)
		MED		670 (1,138)
		LOW		590 (1,002)
		QUIET		310 (527)
Outdoor Unit Airflow rate	Cooling		2,119 (3,600)	
	Heating		2,119 (3,600)	
SOUND PRESSURE				
Indoor Unit	Cooling	HIGH	dB (A)	40
		MED		34
		LOW		32
		QUIET		26
	Heating	HIGH		37
		MED		33
		LOW		31
		QUIET		25
Outdoor Unit	Cooling		53	
	Heating		55	
REFRIGERANT				
Type				R410A
Charge	lb oz			4 lb 10 oz
	g			2100
Oil Type				POE (RB68)

ELECTRICAL SPECIFICATIONS					
Voltage/Frequency/Phase		208/230 V ~ 60 Hz			
Available Voltage Range		187–253 V			
Current	Cooling	Rated	A	9.1	
	Heating	Rated		10.9	
Maximum Operating Current	Cooling			15.6	
	Heating			16.1	
Starting current				9.6	
MCA				20.8	
Maximum Circuit Breaker				30	
Input Power	Cooling	Rated		kW	2.05
		Min.–Max.	0.55–2.22		
	Heating	Rated	2.48		
Min.–Max.		0.55–3.47			
Power Factor	Cooling				97.9
	Heating				98.9
OTHER					
Moisture Removal	pints/h (L/h)		4.6 (2.2)		
Energy Star	No				
Drain hose	Material	LDPE			
	Tip diameter	in (mm)	Ø1/2 (13.0) [I.D.], Ø5/8 to Ø11/16 (16.0 to 16.7) [O.D.]		
Operation Range	Cooling	°F (°C)	64 to 90 (18 to 32)		
	Heating	%RH	80 or less		
Static pressure range	inWG (Pa)		0.08 to 1 (20 to 250)		

DIMENSIONS:

Units: In. (mm)

Indoor Unit:



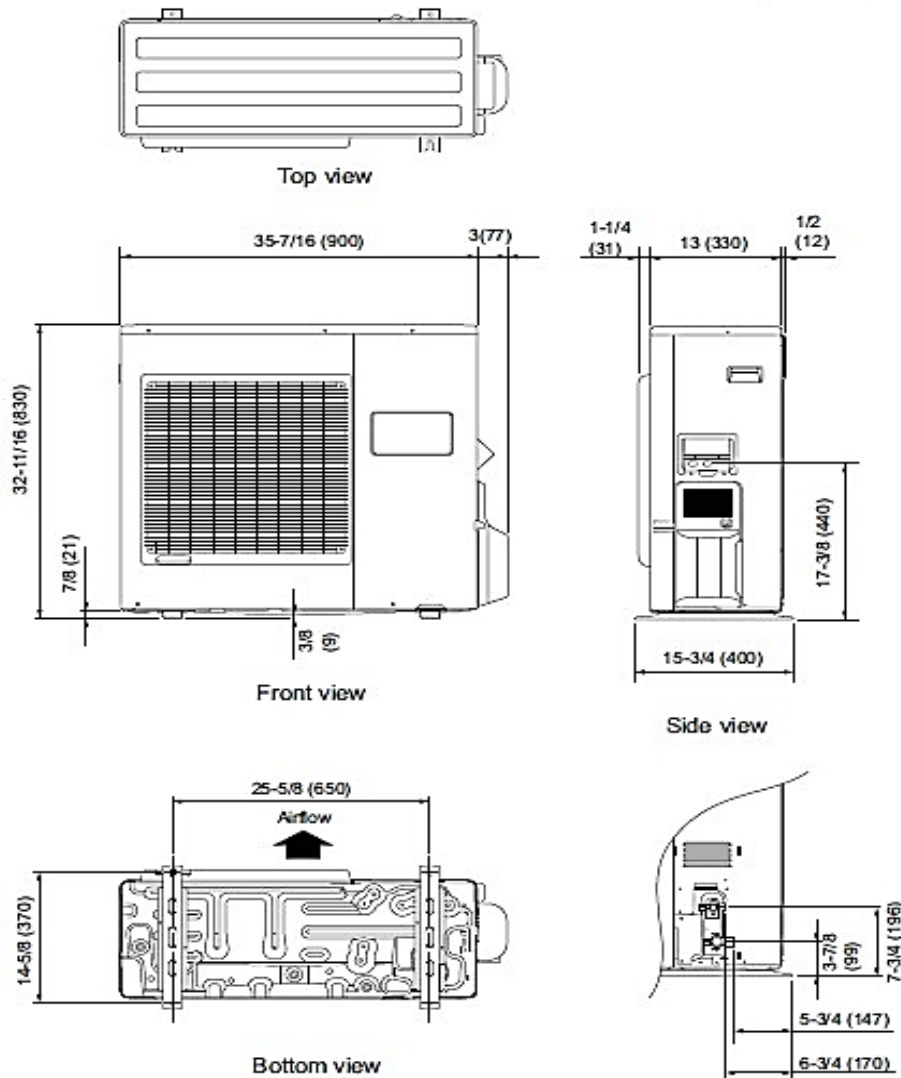
Model	A (Supply duct)	W (Unit width)	H (Unit height)
AMUG24LMAS	19-1/2 (495)	21 (533)	42-1/2 (1,080)

Return Opening Dimensions	
Width	Depth
19 3/8	19 3/4

DIMENSIONS

Units: In. (mm)

Outdoor Unit



The Fujitsu logo is a worldwide trademark of Fujitsu General Limited. The Airstage logo and name is a worldwide trademark of Fujitsu General Limited and is a registered trademark in Japan, the USA and other countries or areas. Copyright 2022 Fujitsu General America, Inc. Fujitsu's products are subject to continuous improvements. Fujitsu reserves the right to modify product design, specifications and information in this brochure without notice and without incurring any obligations.

Note: Specifications are based on the following conditions:
 Cooling: Indoor temperature of 80°F (26.7°C) DB/67°F (19.4°C) WB, and outdoor temperature of 95°F (35°C) DB/75°F (23.9°C) WB. Heating: Indoor temperature of 70°F (21.1°C) DB/60°F (15.6°C) WB, and outdoor temperature of 47°F (8.3°C) DB/43°F (6.1°C) WB. Pipe length: 25ft. (7.5m), Height difference: 0ft. (0m) (Outdoor unit - indoor unit).