



Submittal Data Sheet

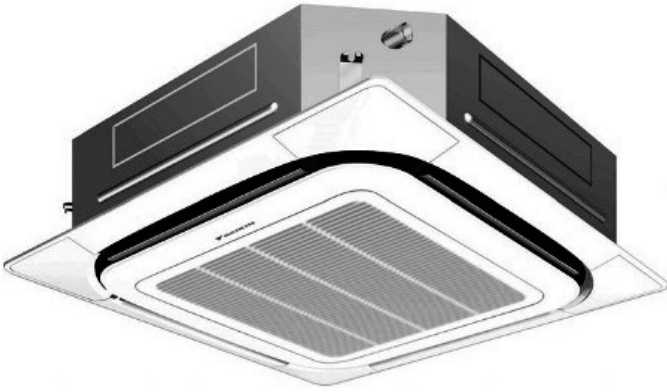
2.5-Ton Roundflow Cassette Unit

FCQ30PAVJURZQ30PVJU

FEATURES

- 23 configurable airflow patterns ensure ideal air distribution for maximum comfort and savings
- 360° airflow reduces draft
- Lower air velocities provide better airflow distribution
- Condensate pump provided standard
- Outside air integration possible
- 10 year limited parts and compressor warranty

INDOOR UNIT



BENEFITS

- Optional wired controller
- Maximum piping length up to 164 ft. allows flexible placement of indoor unit
- Maximum piping height separation up to 98 ft.
- Low ambient cooling operation down to 0°F (with optional wind baffle(s))

OUTDOOR UNIT





Submittal Data Sheet

2.5-Ton Roundflow Cassette Unit

FCQ30PAVJURZQ30PVJU

SYSTEM PERFORMANCE

Indoor Unit Model No.	FCQ30PAVJU	Indoor Unit Name:	FCQ30PAVJU
Outdoor Unit Model No.	RZQ30PVJU	Outdoor Unit Name:	2.5-Ton SkyAir Heat Pump
Rated Cooling Capacity (Btu/hr):	30,000	Rated Cooling Conditions:	Indoor (°F DB/WB): 80 / 67 Ambient (°F DB/WB): 95 / 75
Sensible Capacity (Btu/hr):	22,300	Rated Piping Length(ft):	
Max/Min Cooling Capacity (Btu/hr):	/	Rated Height Difference (ft):	98.00
Cooling Input Power (kW):	1.820	Rated Heating Conditions:	Indoor (°F DB/WB): 70 / 70 Ambient (°F DB/WB): 47 / 43
SEER (Non-Ducted/Ducted):	15.80 /	HSPF (Non-Ducted/Ducted):	9.7 /
EER (Non-Ducted/Ducted):	10.20 /		
Rated Heating Capacity (Btu/hr):	34,000		
Heating Input Power (kW):	1.82		

SYSTEM DETAILS

Refrigerant Type:	R-410A	Cooling Operation Range (°F DB):	23 - 115
Holding Refrigerant Charge (lbs):	5.1	Heating Operation Range (°F WB):	0 - 77
Additional Charge (lb/ft):	0.04	Max. Pipe Length (Vertical) (ft):	
Pre-charge Piping (Length) (ft):		Cooling Range w/Baffle (°F DB):	0 - 115
Max. Pipe Length (Total) (ft):	164	Heating Range w/Baffle (°F WB):	0 - 77
Max Height Separation (Ind to Ind ft):	98		

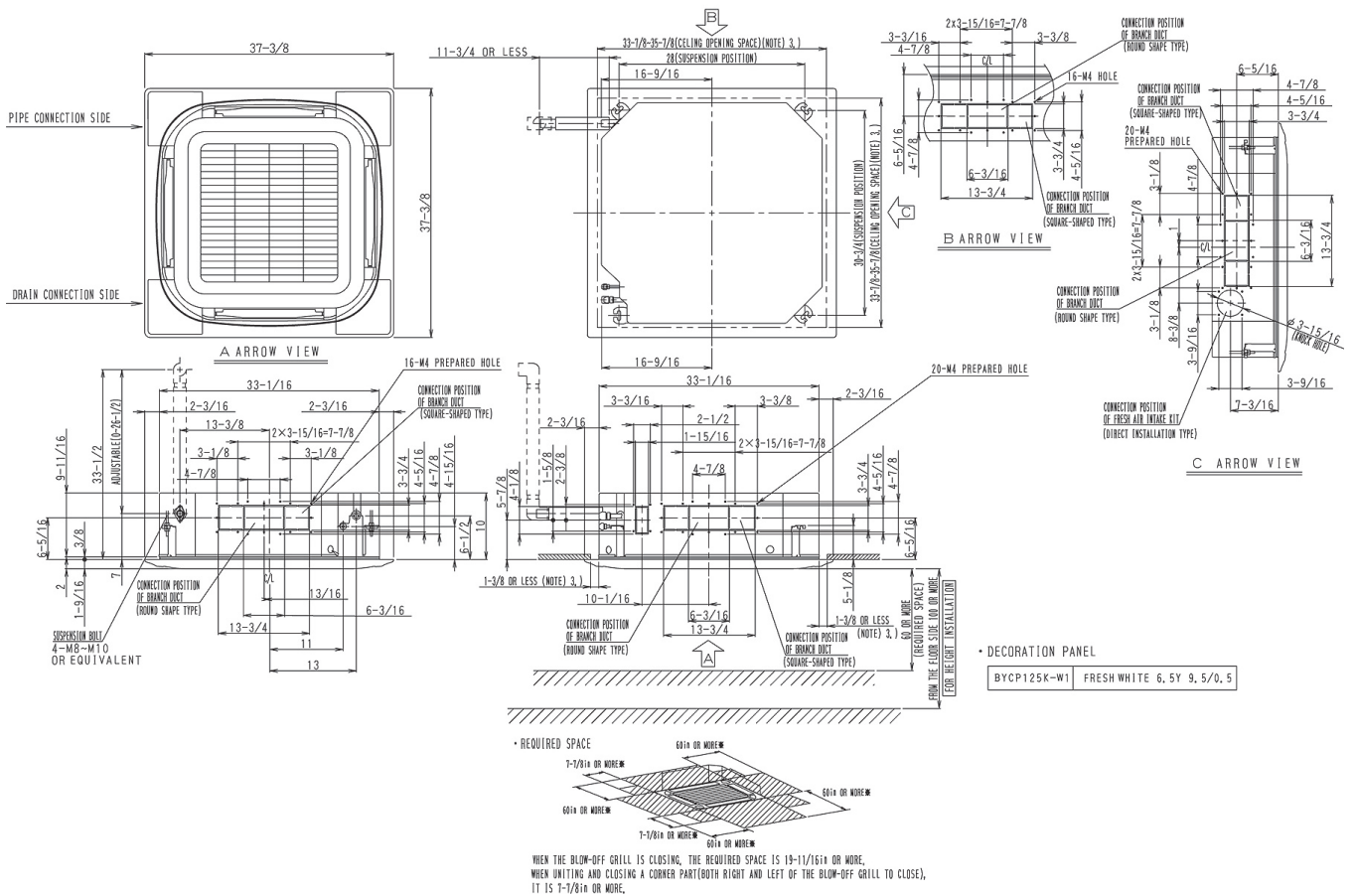
Submittal Data Sheet
2.5-Ton Roundflow Cassette Unit
FCQ30PAVJURZQ30PVJU

INDOOR UNIT DETAILS

Power Supply (V/Hz/Ph):	208-230 / 60 / 1	Airflow Rate (H/M/L) (CFM):	830/670/530
Power Supply Connections:	L1, L2, Ground	Moisture Removal (Gal/hr):	
Min. Circuit Amps MCA (A):	0.60	Gas Pipe Connection (inch):	5/8
Max Overcurrent Protection (MOP) (A):		Liquid Pipe Connection (inch):	3/8
Dimensions (HxWxD) (in):	9-11/16 x 33-1/16 x 33-1/16	Condensate Connection (inch):	1
Panel (HxWxD) (in):	2 x 37-3/8 x 37-3/8	Sound Pressure (H/M) (dBA):	38/35
Net Weight (lb):	49	Sound Power Level (dBA):	
Panel Weight (lb):	61	Ext. Static Pressure (Rated/Max) (inWg):	0.00 / 0.00

DIMENSIONAL DRAWING - INDOOR UNIT

FCQ24_30PAVJU
 Unit (in.)





Submittal Data Sheet

2.5-Ton Roundflow Cassette Unit

FCQ30PAVJURZQ30PVJU

OUTDOOR UNIT DETAILS

Power Supply (V/Hz/Ph):	208-230 / 60 / 1	Compressor Type:	Inverter
Power Supply Connections:	L1, L2, Ground	Capacity Control Range (%):	25 - 100
Min. Circuit Amps MCA (A):	16.50	Airflow Rate (H) (CFM):	1,835
Max Overcurrent Protection (MOP) (A):	20.00	Gas Pipe Connection (inch):	5/8
Max Starting Current MSC(A):		Liquid Pipe Connection (inch):	3/8
Rated Load Amps RLA(A):	16.0	Sound Pressure (H) (dBA):	49
Dimensions (HxWxD) (in):	30-5/16 x 35-7/16 x 12-5/8	Sound Power Level (dBA):	
Net Weight (lb):	150		

DIMENSIONAL DRAWING - OUTDOOR UNIT

