

24,000 BTU Single Zone High SEER Wall Mounted

Job Name \_\_\_\_\_  
 Location \_\_\_\_\_  
 Engineer \_\_\_\_\_  
 Submitted To \_\_\_\_\_  
 Submitted By \_\_\_\_\_  
 Reference \_\_\_\_\_

Date \_\_\_\_\_  
 Approval \_\_\_\_\_  
 Construction \_\_\_\_\_  
 Unit No \_\_\_\_\_  
 Drawing No \_\_\_\_\_

**PRODUCT FEATURES**

- Auto Changeover
- 24 hr. Timer
- Auto Louver: Up/Down
- Minimum Heat Mode
- Wireless Remote control
- Auto Restart
- Economy Mode
- Auto Fan Mode

**MODEL NUMBERS**

Indoor Unit	ASUH24LMAS
Outdoor Unit	AOUH24LMAS1
System	24LMAS1

**EFFICIENCIES**

SEER	22.5	
EER	12.5	
HSPF	12	
COP	kW/kW	3.95
	BTU/hW	13.50

**OUTDOOR TEMPERATURE OPERATION RANGE**

Cooling	*F(°C)	14 to 115 (-10 to 46)
Heating		5 to 75 (-15 to 24)

**CAPACITIES**

Cooling	Rated	BTU/hW	22,000
	Min.-Max.		9,100 - 27,300
Heating	Rated		25,200
	Min.-Max.		8,200 - 37,000

**LINESET REQUIREMENTS**

Connection Method		Flare
Liquid	in (mm)	Ø3/8 (Ø9.52)
		Ø5/8 (Ø15.88)
Pre-Charge Length	ft (m)	66 (20)
		16 (5)
		164 (50)
		98 (30)

**INDOOR DIMENSIONS & WEIGHT**

Net (H x W x D)	in	13-6/16 x 45-4/16 x 11
	mm	340 x 1,150 x 280
Gross (H x W x D)	in	15-15/16 x 50 x 17-11/16
	mm	405 x 1,270 x 450
Net Weight	lb (kg)	36 (16.5)
Gross Weight		49 (22.0)

**OUTDOOR DIMENSIONS & WEIGHT**

Net (H x W x D)	in	31 x 37 x 12-5/8
	mm	788 x 940 x 320
Gross (H x W x D)	in	38-1/16 x 40-7/16 x 17-1/2
	mm	966 x 1,027 x 445
Net Weight	lb (kg)	117 (53)
Gross Weight		134 (61)



Indoor Unit ETL#: 91987  
 Outdoor Unit ETL#: 91987

Effective Date: 11/9/2021



**Warranty Information**



7 Year Compressor, 5 Year Parts out-of-the-box Warranty



10 Year Compressor, 10 Year Parts Warranty when registered within 60 days of installation in a residence



12 Year Compressor, 12 Year Parts Warranty when registered within 60 days of installation in a residence, and installed by a Fujitsu Elite contractor

**ACCESSORIES**

UTY-RNRUZ5	Wired Remote Controller (Touch Panel)
UTY-RSRY	Simple Remote Control
UTY-RHRY	Simple Remote Control (Hospitality)
FJ-AC-BAC-1L	BACnet MSTP Gateway
UTY-TTRXZ1	24V Thermostat Interface
UTY-TWRXZ2	Interface Kit
UTY-TFSXF1	WIFI Module



This system combination is Energy Star qualified



+App available in Apple® App Store and Google® Play Store.

Due to continuous product improvements, specifications are subject to change without notice. Please log in to the Fujitsu Portal for the most up-to-date documentation <https://portal.fujitsugeneral.com>

24,000 BTU Single Zone High SEER Wall Mounted System

**FAN DATA**

Indoor Unit Airflow Rate	Cooling	High	CFM (m3/h)	647 (1,100)
		Medium		530 (900)
		Low		436 (740)
		Quiet		371 (630)
	Heating	High	730 (1,240)	
		Medium	530 (900)	
		Low	436 (740)	
		Quiet	371 (630)	
Outdoor Unit Airflow Rate	Cooling		1,936 (3,290)	
	Heating		2,187 (3,715)	

**SOUND PRESSURE**

Indoor Unit	Cooling	High	dB (A)	46
		Medium		42
		Low		37
		Quiet		33
	Heating	High	48	
		Medium	38	
		Low	34	
		Quiet	30	
Outdoor Unit	Cooling		52	
	Heating		54	

**REFRIGERANT**

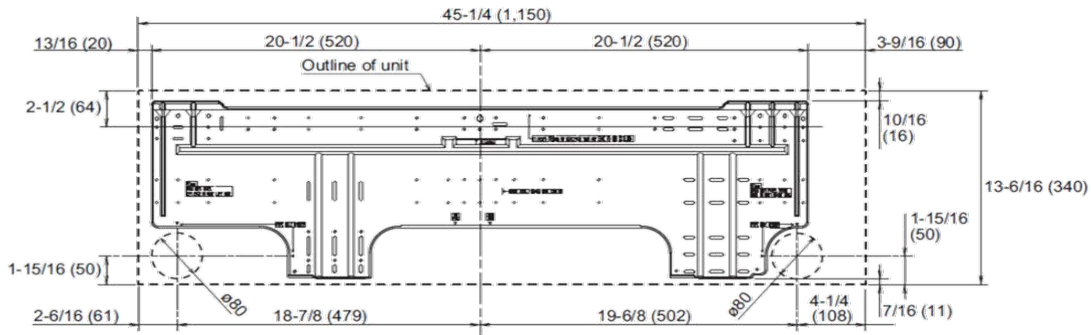
Type	R410A		
Charge	lb oz	4 lb 10 oz	
	kg	2.100	
Oil Type	POE (RB68)		

**ELECTRICAL SPECIFICATIONS**

Voltage/Frequency/Phase		208/230 V / 1Ø / 60Hz	
Voltage Range		187-253V-60Hz	
Current	Cooling	Rated	7.8
	Heating	Rated	8.3
Maximum Operating Current	Cooling	A	15.4
	Heating		15.9
Starting Current			8.3
MCA			19.6
Maximum Circuit Breaker			20
Input Power	Cooling	Rated Min.-Max.	1.76
	Heating	Rated Min.-Max.	0.43 - 2.63
Power Factor	Cooling	%	98.1
	Heating		98
<b>OTHER</b>			
Moisture Removal		pints/h (L/h)	6.3 (3.0)
Energy Star			Yes
Drain hose		Material	PP+HDPE
Size	in (mm)	Ø17/32 (Ø13.8) (I.D.), Ø19/32 to 21/32 (Ø15.0 to 16.8) (O.D.)	
		Operation Range	64 to 90 (18 to 32)
Range	Cooling	°F (°C)	80 or less
	Heating	°F (°C)	86 (30) or less

**Wall Bracket Data:**

Units: In. (mm)



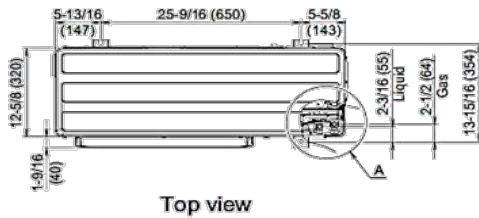
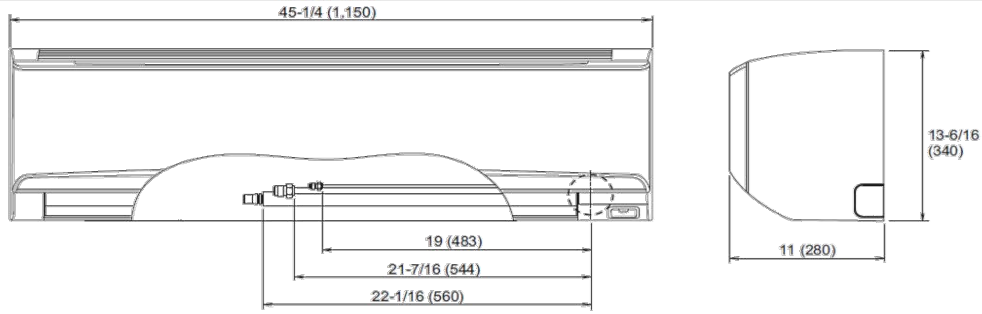
The Fujitsu logo is a worldwide trademark of Fujitsu General Limited. The Halcyon logo and name is a worldwide trademark of Fujitsu General Limited and is a registered trademark in Japan, the USA and other countries or areas. Copyright 2021 Fujitsu General America, Inc. Fujitsu's products are subject to continuous improvements. Fujitsu reserves the right to modify product design, specifications and information in this brochure without notice and without incurring any obligations.

Note: Specifications are based on the following conditions:  
 Cooling: Indoor temperature of 80°F (26.7°C) DB/67°F (19.4°C) WB, and outdoor temperature of 95°F (35°C) DB/75°F (23.9°C) WB. Heating: Indoor temperature of 70°F (21.1°C) DB/60°F (15.6°C) WB, and outdoor temperature of 47°F (8.3°C) DB/43°F (6.1°C) WB. Pipe length: 25ft. (7.5m), Height difference: 0ft. (0m) (Outdoor unit - indoor unit).

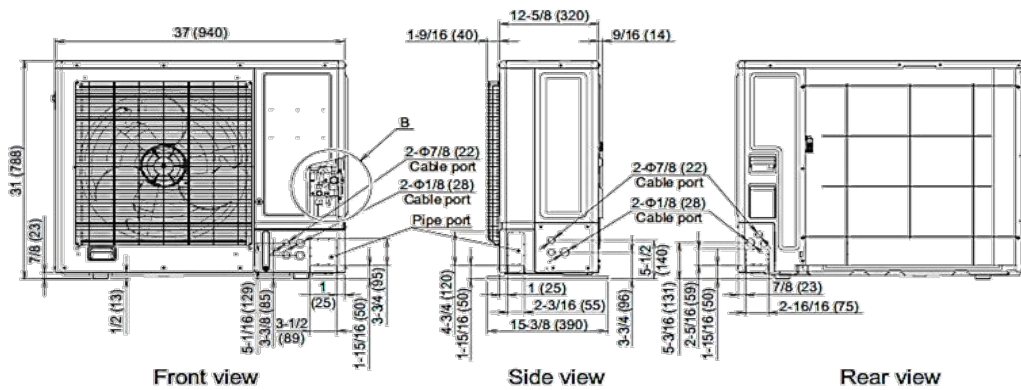
24,000 BTU Single Zone High SEER Wall Mounted System

DIMENSIONS

Units: In. (mm)



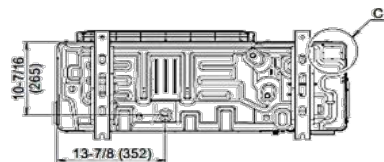
Top view



Front view

Side view

Rear view



Bottom view

The Fujitsu logo is a worldwide trademark of Fujitsu General Limited. The Halcyon logo and name is a worldwide trademark of Fujitsu General Limited and is a registered trademark in Japan, the USA and other countries or areas. Copyright 2021 Fujitsu General America, Inc. Fujitsu's products are subject to continuous improvements. Fujitsu reserves the right to modify product design, specifications and information in this brochure without notice and without incurring any obligations.

Note: Specifications are based on the following conditions:  
 Cooling: Indoor temperature of 80°F (26.7°C) DB/67°F (19.4°C) WB, and outdoor temperature of 95°F (35°C) DB/75°F (23.9°C) WB. Heating: Indoor temperature of 70°F (21.1°C) DB/60°F (15.6°C) WB, and outdoor temperature of 47°F (8.3°C) DB/43°F (6.1°C) WB. Pipe length: 25ft. (7.5m), Height difference: 0ft. (0m) (Outdoor unit - indoor unit).