

Project Name:	Approval:
Location:	Date:
Engineer:	Construction:
Submitted to:	Unit #:
Submitted by:	Drawing #:
Reference:	

Compatible with all Daikin VRV Mini-split, and all Multi-split indoor units – CDXS, CTXS, FDXS, FTXS, FTXN (FTXN requires KRP980B1 interface adapter)

Compatible with Daikin SkyAir indoor unit models: FTXS

Model Number	DST-TS1-1
Description	ENVi Thermostat
Control Quantity	1 indoor unit
Wiring for Power/Communication (requires field supplied 4 core wire)	18 AWG: 1250 ft. / 380 m 20 AWG: 800 ft. / 240 m 22 AWG: 500 ft. / 150 m
Power Supply	24VAC (supplied by *DPCA)
Cool Setpoint Range	65 to 95°F (18.5 to 35°C)
Heat Setpoint Range	45 to 80°F (7 to 26.5°C)
Operating Temp Range	32 to 130°F (0 to 55°C)
Humidity Display Range	20-90% RH
Operating Humidity Range	5 – 95% RH (no condensation)
Aux Heater Relay Electrical Rating	30VAC, Max Current 3A
Dimensions (WxHxD)	5.5 x 3.25 x 1 inches (139.5 x 82.5 x 25 mm)
Weight (Mass)	1.8 lb. (0.8 kg)



DACA-TS1-1

The Daikin ENVi Thermostat features:

- Wall mount controller
- Backlit
- Single setpoints in Cool or Heat modes
- Dual setpoints in Auto mode
- Fan On/Auto (Fan Auto, Fan stops when room temp is satisfied)
 - Min Fan On Time can be configured for better air circulation
- Senses and displays indoor temperature / humidity
- Display outdoor temperature and humidity
- Utility CPP (Critical Peak Pricing) setting available
- Supports a single-stage auxiliary heater
 - One relay implemented for an auxiliary heater

- Weekly Setback Schedule
 - Hold, Vacation, Optimum Start (Smart Recovery)

- Wi-Fi for web (PC) / mobile phone / tablet access
 - User Web Portal
 - Apple, Android, and Blackberry apps available
 - Contractor Web Portal for customer support
 - Displays weather forecast
- Email Alarm and reminder
 - Upper and lower limit temp and humidity alerts
 - Equipment maintenance reminder

- Daikin Error code and plain text (same text as Dr. Daikin mobile access) are displayed and emailed.

*DPCA	
Description	Daikin Power Communication Adapter (DPCA)
Maximum Connections	1 ENVi Thermostat
Power Supply	208/230V (connected to power terminal of Indoor Unit)
Power Cable Length	5 ft. 4 in.
Operating Temp Range	20 to 140 °F (-7 to 60 °C)
Operating Humidity Range	5 to 95% RH (no condensation)
Dimensions (WxHxD)	4.7 x 2.0 x 1.3 inches (120 x 50 x 32.5 mm)

Daikin North America LLC, 5151 San Felipe Suite 500, Houston, TX 77056

Daikin North America LLC Controls Engineering Department Generated Submittal Data

www.daikinac.com

Project Name: _____

Location: _____

Engineer: _____

Submitted to: _____

Submitted by: _____

Reference: _____

Approval: _____

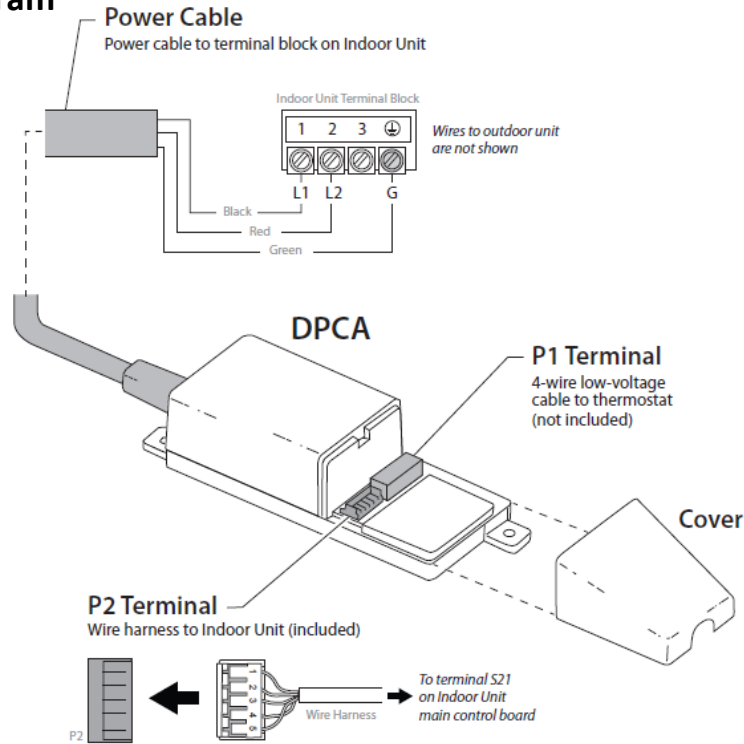
Date: _____

Construction: _____

Unit #: _____

Drawing #: _____

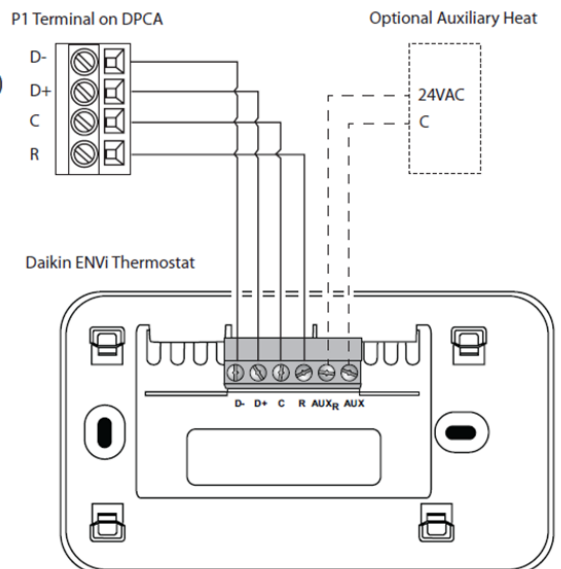
Wiring Diagram



D-, D+ : 2 wire for RS485 serial communication (Modbus)

C, R : 2 wire for power supply (24VAC)

D-, D+: Communication wire – polarity sensitive



Daikin North America LLC, 5151 San Felipe Suite 500, Houston, TX 77056

Daikin North America LLC Controls Engineering Department Generated Submittal Data

www.daikinac.com

(Daikin's products are subject to continuous improvements. Daikin reserves the right to modify product design, specifications and information in this data sheet without notice and without incurring any obligations)