

**Submission Data: 12RLS3Y
Inverter Driven Heat Pump**

12,000 BTU Wall Mount

Job Name: _____

Date: _____

Location: _____

Approval: _____

Engineer: _____

Construction: _____

Submitted to: _____

Unit #: _____

Submitted by: _____

Drawing #: _____

Reference: _____

General Features

- Wired or wireless remote
- Built-in Wi-Fi w/ App+
- High performance heating
- Temp setting by 1 degree
- Energy Saving Program
- Weekly timer
- Dry mode
- Powerful mode
- Standard Warranty: 5 years parts, 7 years compressor. Applies to systems purchased before June 1st 2015*
- Extended Warranty: 10 years parts, 10 years compressor. Systems that have been installed on or after June 1st 2015 by licensed contractors and the online Product Registration has been submitted.**
- Elite Contractor Extended Warranty: 12 years parts, 12 years compressor. Systems that have been installed on or after June 1st 2015 by contractors who have met requirements and have been approved for elite contractor status plus, the online Product Registration has been submitted.***

Model Information

Condenser..... AOU12RLS3
Evaporator..... ASU12RLS3Y

Electrical..... 208/230V AC 1ph-60Hz
Available Voltage Range..... 208/230 +/- 10%
Minimum Circuit Ampacity..... 13.4 A
Max Fuse Size..... 15 A
Max Starting Current..... 4.7 A

Input Power

Cooling..... 0.79 kW
Heating..... 1.01 kW

Running Current

Cooling..... 3.8 A
Heating..... 4.7 A

Capacity

Nominal Cooling..... 12,000 Btu
Min-Max Cooling..... 3,100-13,600 Btu
Nominal Heating..... 16,000 Btu
Min-Max Heating..... 3,100-22,000 Btu

Compressor

Motor Output..... 850 W
Refrigerant..... R410a
Charge..... 2 lbs. 14 oz.
Oil..... FREOL a68SZ

Fan Motor

(Condenser) Type: DC..... Propeller x1
(Condenser) Motor Output..... 49 W
(Evaporator) Type: DC..... Cross flow fan x1
(Evaporator) Motor Output..... 61 W

Heat Exchanger (Condenser (C) Evaporator (E))

Dimensions (H x W x D)
Condenser..... 23-1/8 x 34-11/16 x 1-7/16 in. (588x881x36.4 mm)
Evaporator..... Main 15-1/8 x 28-3/8 x 1-3/16 in. (384x720x30) Sub 3-5/16 x 28-3/8 x 1/2 in. (84x720x13.3 mm) 4-15/16 x 28-3/8 x 1/2 in. (126x720x13.3 mm)
Fin Pitch..... 20 FPI (C) Main 21 FPI Sub 18 FPI (E)
Rows x Stages..... 2 x 28 (C) Main 3 x 24 Sub 1 x 10 (E)
Pipe Type (Material)..... Copper (C) Copper (E)
Fin Type (Material)..... Aluminum (C) Aluminum (E)

Note: Specifications are based on the following conditions:
Cooling: Indoor temperature of 80°F (26.7°C) DB/67°F (19.44°C) WB, and outdoor temperature of 95°F (35°C) DB/75°F (23.9°C) WB.
Heating: Indoor temperature of 70°F (21.11°C) DB/59°F (15°C) WB, and outdoor temperature of 47°F (8.33°C) DB/43°F (6.11°C) WB.
Pipe length: 24ft. Tin. (7.5m), Height difference: 0ft. (0m) (Outdoor unit – indoor unit)
(*Standard warranty / **10 year warranty / ***12 year warranty)



Operation Temperature Range

Cooling..... 14°F ~ 115°F (-10°C ~ 46°C)
Heating..... -5°F ~ 75°F (-21°C ~ 24°C)

Efficiency

SEER..... 29.3
EER (cooling)..... 4.46 kW/kW
COP (heating)..... 4.64 kW/kW
HSPF (heating)..... 14.0 Btu/hW

Enclosure

Condenser
Material..... Painted galvanized steel
Color..... Beige (10 YR 7.5/1.0 NN)
Evaporator
Material..... Polystyrene
Color..... White (Approximate color of Munsell 5PB 9.25/0.5)

Sound Pressure Level

Condenser..... 47 dB (A)
Evaporator..... 42 dB (A)

Dimensions (H x W x D)

Condenser in. (mm)..... 24-1/2 (620) x 31-1/8 (790) x 11-7/16 (290)
Evaporator in. (mm)..... 11-5/8 (295) x 37 (940) x 10-5/8 (270)

Connection Pipe

Liquid..... 1/4" / 6.35 mm Flare
Gas..... 3/8" / 9.52 mm Flare
Method (Liquid/Gas)..... Brazing
Max Length (Pre-charge)..... 65 ft. (20 m) / (49 ft. {15 m})
Max Height Difference..... 49 ft. (15 m)
Drain Hose
In. (mm)..... Ø 9/16 (Ø13.8) (I.D.) Ø5/8 to Ø11/16 (Ø15.8 to Ø16.7) (O.D.)

Weight

Condenser..... 84 lbs. (38 kg)
Evaporator..... 31 lbs. (14 kg)

Accessories

UTY-RNNUM^..... Wired remote control
UTY-RVNUM^..... Wired remote control (backlit, shows room temp.)
UTY-RSNUM^..... Wired remote control (simple)
UTY-XWZZZ5..... Dry contract kit
UTY-TWBXF1..... Interface kit

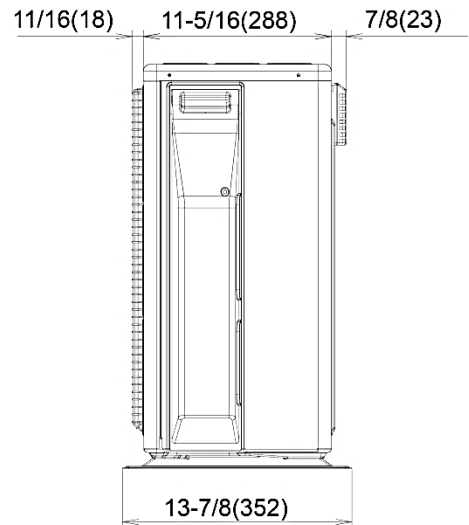
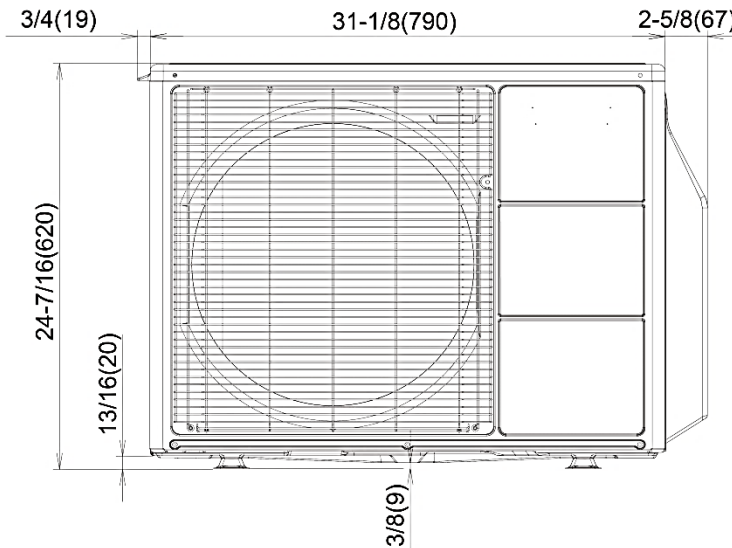
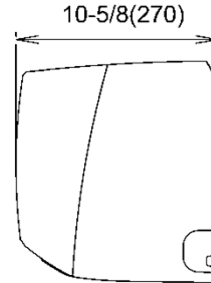
Intertek®ETL Number

AOU12RLS3..... 91986
ASU12RLS3Y..... 91986

*1 Requires interface kit # UTY-TWBXF1 in order to connect these devices to them.

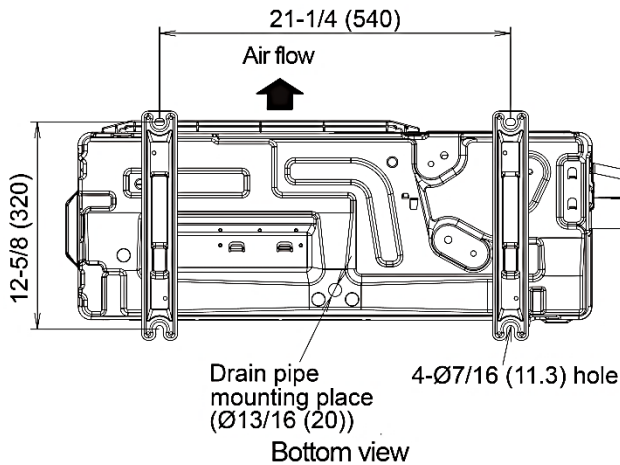
Dimensions: 12RLS3Y

[Unit: in. (mm)]



Front view

Side view



Drain pipe
mounting place
(Ø13/16 (20))

Bottom view

